

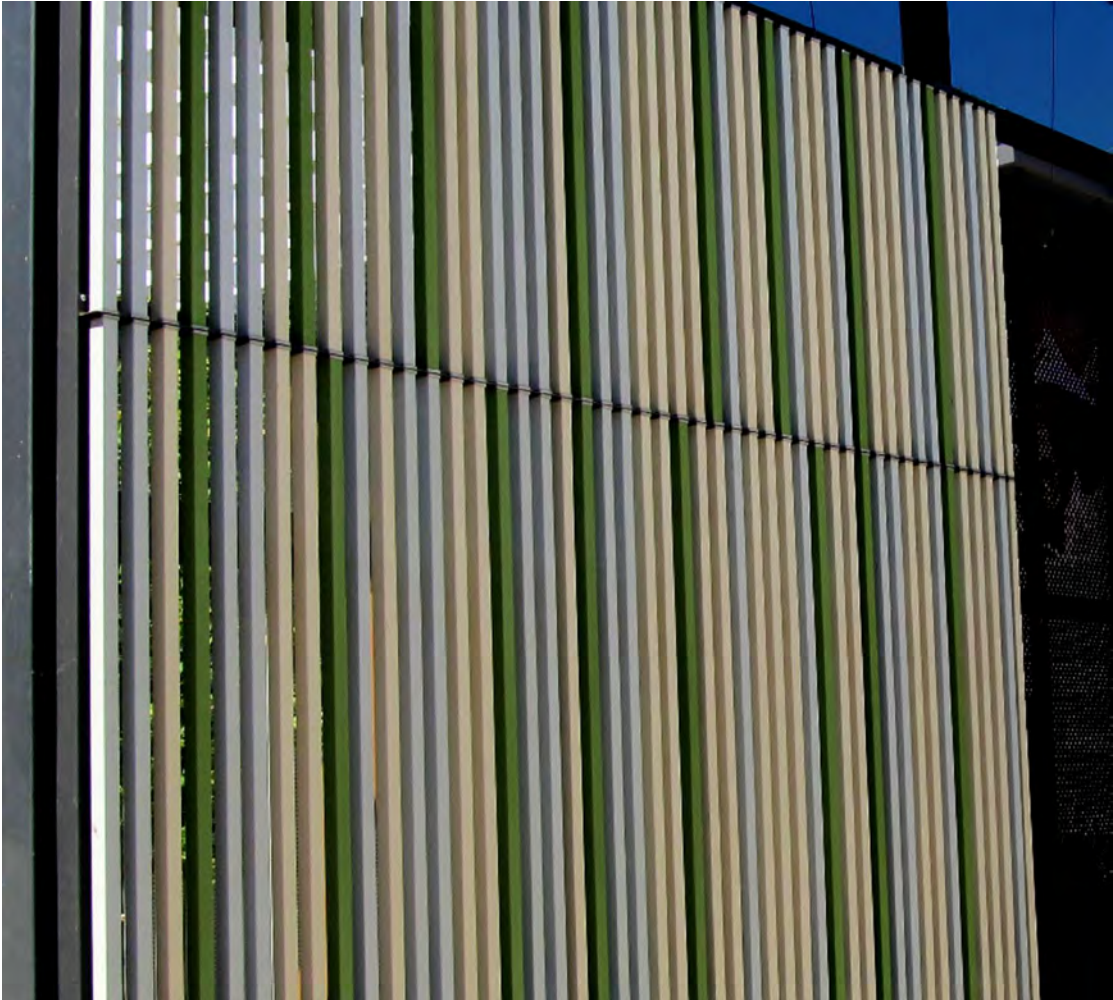
**TECHNICAL
MANUAL LOUVERS**



Quadrobrise 32 x 32

Project Engineering and Technical Support

HunterDouglas 
Architectural



Quadrobrise 32 x 32

PRODUCT DESCRIPTION

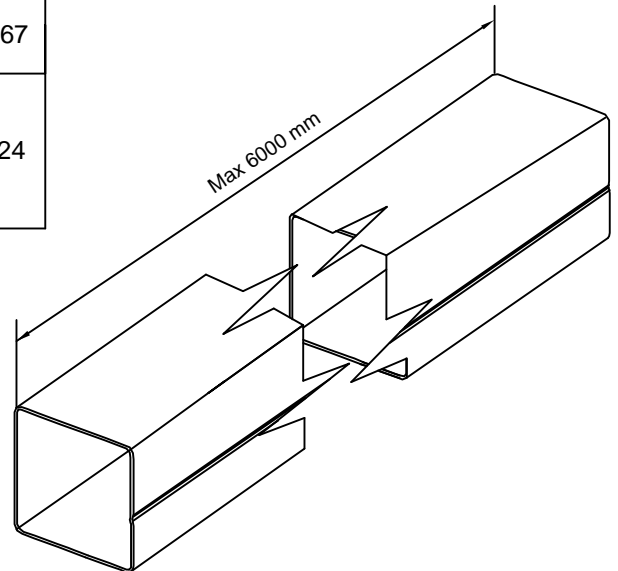
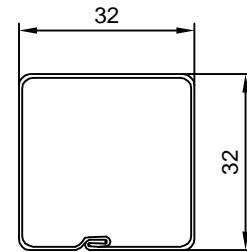
Quadrobrise 32 x 32 is a product designed to be used on the facades of buildings as sunscreens or on any other type of facade including curtain walls, facing for walls, stairwells and ceilings. The profiles can be installed vertically or horizontally depending on the design.

The system is composed of a carrying profile, a square section panel plus covers, an L bracket and a Z profile. One of the characteristics of this louver is that it has the same appearance from the inside and outside.

MATERIAL	: Zinc aluminum.
THICKNESS	: 0.6 mm
COLORS	: Available in over 100 standard colors and custom colors
FINISH	: Electrostatic sanded or electro enameled in paint line
USES	: Louver, ceiling and facing
MAX. LENGTH	6 mt- 6000 m
YIELD	Based on project

WEIGHT TABLE

PRODUCT	MATERIAL	MODULE (mm.)		THICKNESS (mm.)	WEIGHT (Kg/mt ²)	WEIGHT (Kg/ml)
QUADROBRISE LOUVER	ZINC ALUMINUM	32	32	0.5	9.96	0.56
				0.6	10.72	0.67
	ALUMINUM	32	32	0.6	3.84	0.24



NOTE:

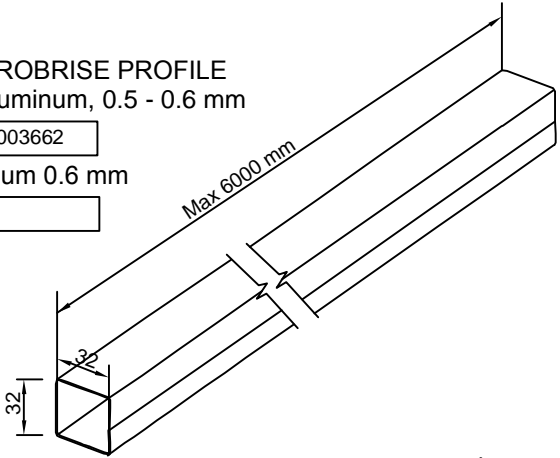
- 1- All measurements are expressed in millimeters.
- 2- For special measurements, please contact the Technical Department
- 3- Weight only includes the panel and 64 mm space
- 4- Distances provided for a max. wind of 70 km/hr (Santiago)

Quadrobrise 32 x 32

COMPONENTS

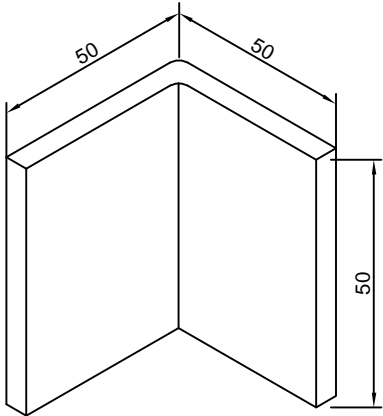
QUADROBRISE PROFILE
Zinc aluminum, 0.5 - 0.6 mm

COD: 003662
Aluminum 0.6 mm
COD:



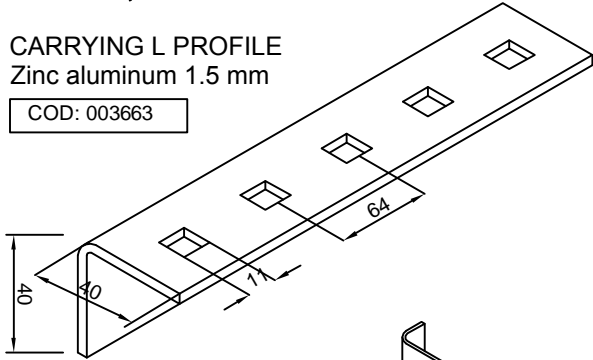
PAINTED L-TYPE BRACKET
Zinc aluminum, 3 mm

COD: 003585



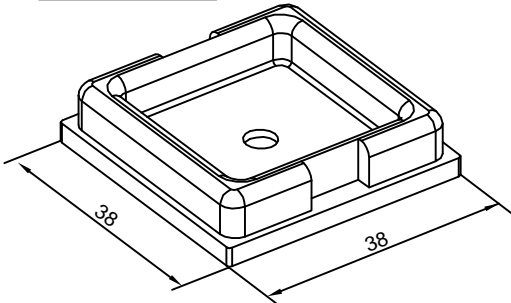
CARRYING L PROFILE
Zinc aluminum 1.5 mm

COD: 003663



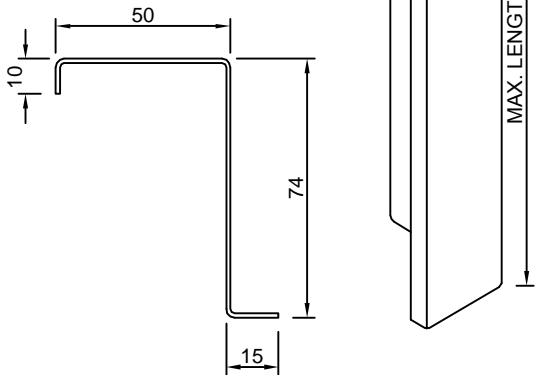
ALUMINUM COVER

COD: 020383



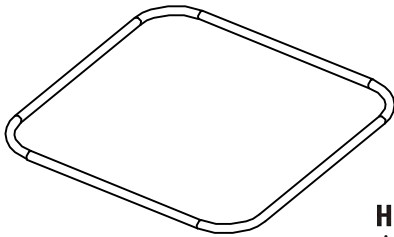
Z PROFILE
Zinc aluminum 1.5 mm

COD: 003584



RUBBER O RING

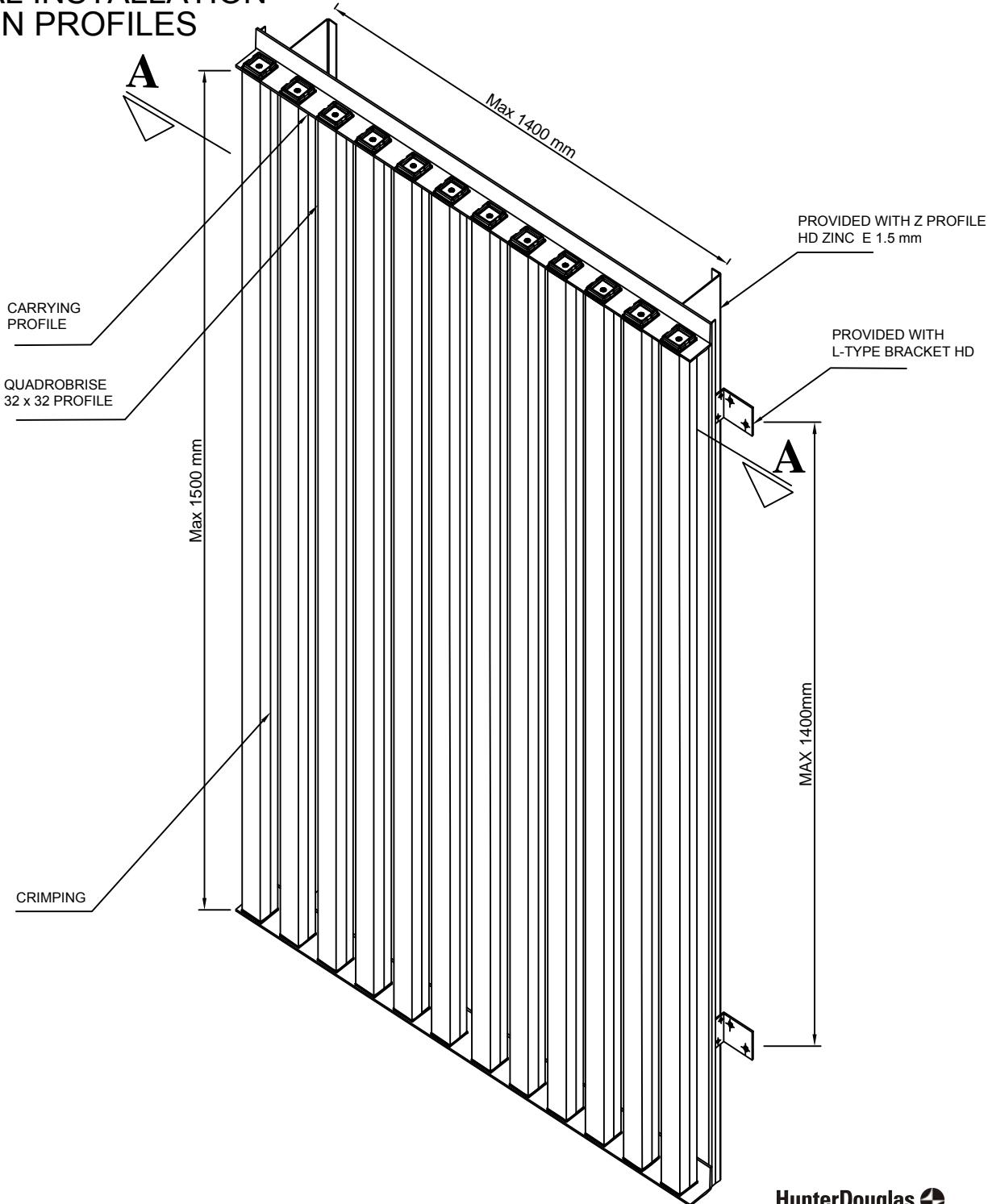
COD: 002486



Quadrobrise 32 x 32

VERTICAL INSTALLATION BETWEEN PROFILES

ISOMETRIC
Set view
Scale 1:20

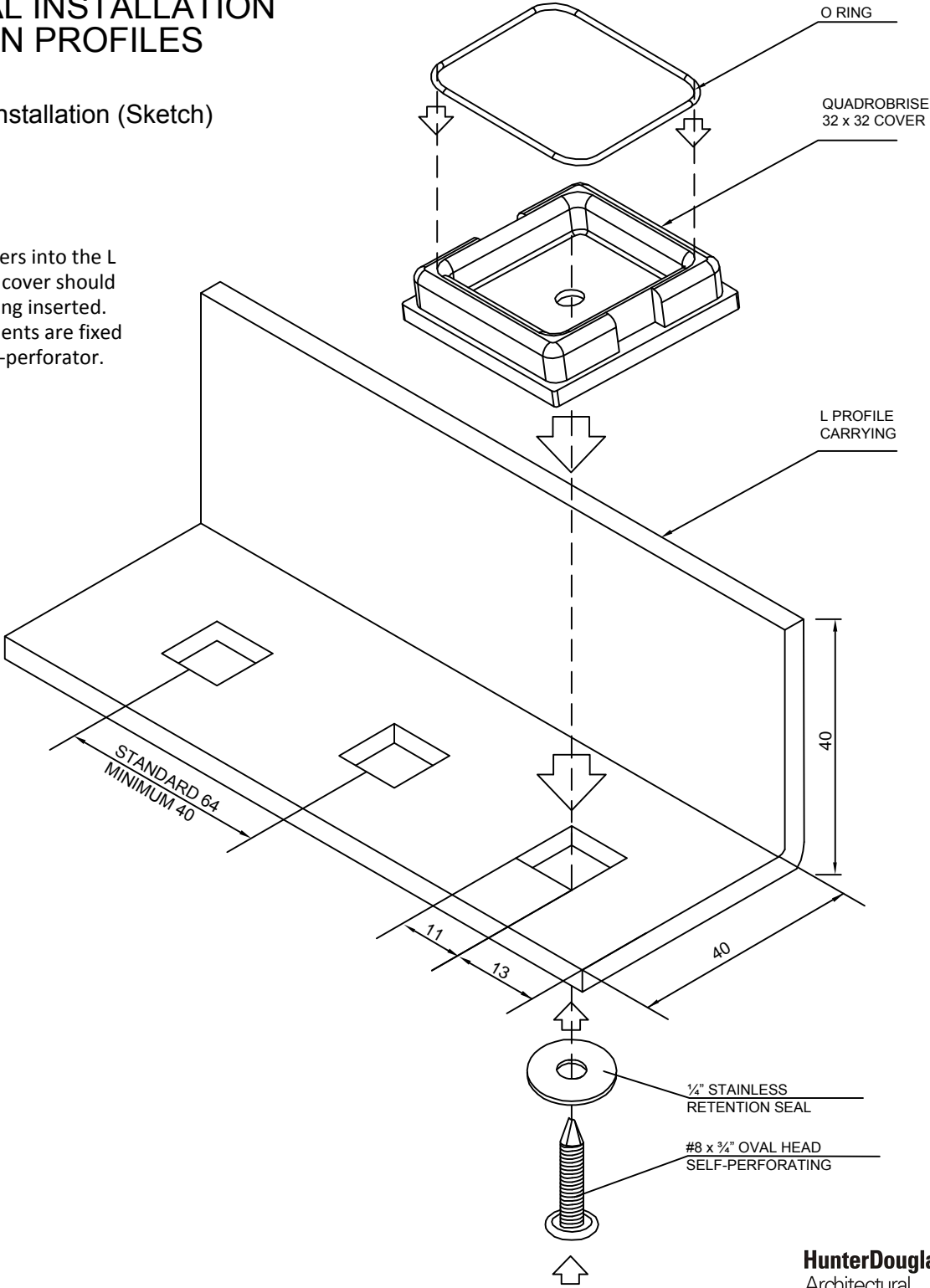


VERTICAL INSTALLATION BETWEEN PROFILES

Base cover installation (Sketch)

STEP 1:

Insert the covers into the L profiles. Each cover should have the O ring inserted. These components are fixed with the self-perforator.

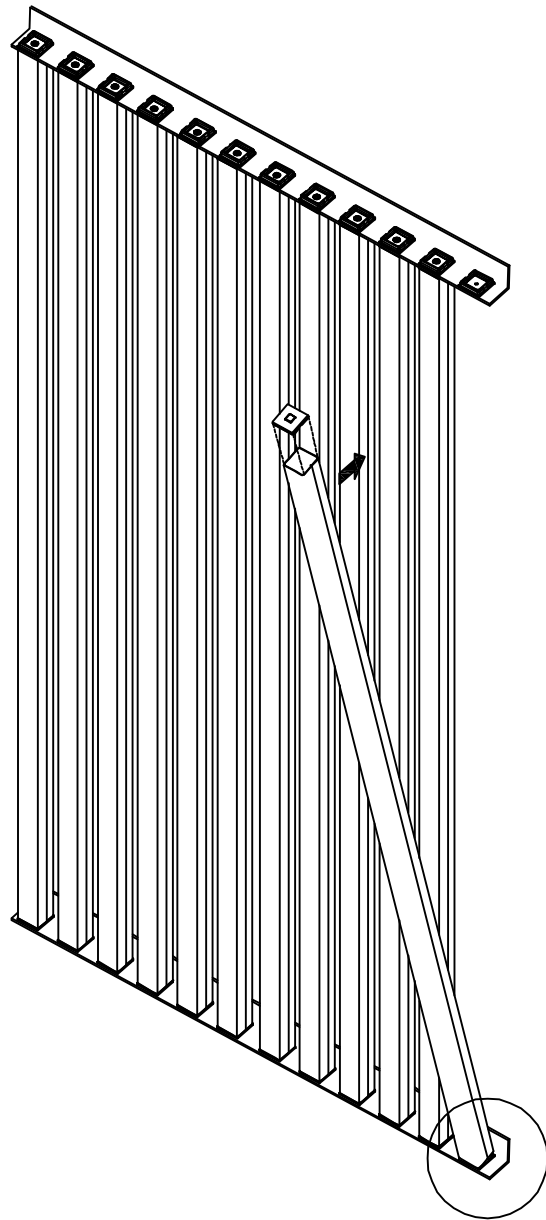
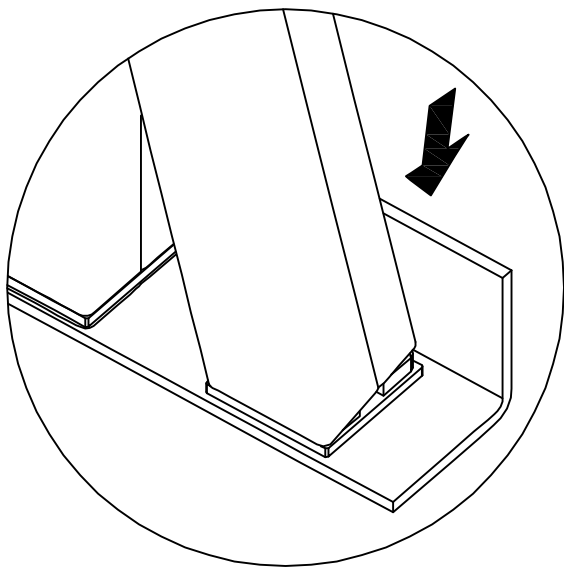


VERTICAL INSTALLATION BETWEEN PROFILES

Profile installation (sketch)

STEP 2:

Insert the lower part of the
profile with the cover
installed in the L profile.



**VERTICAL INSTALLATION
BETWEEN PROFILES**

Profile installation (sketch)

STEP 3:

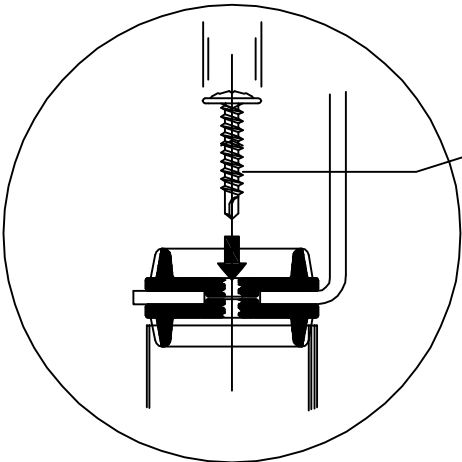
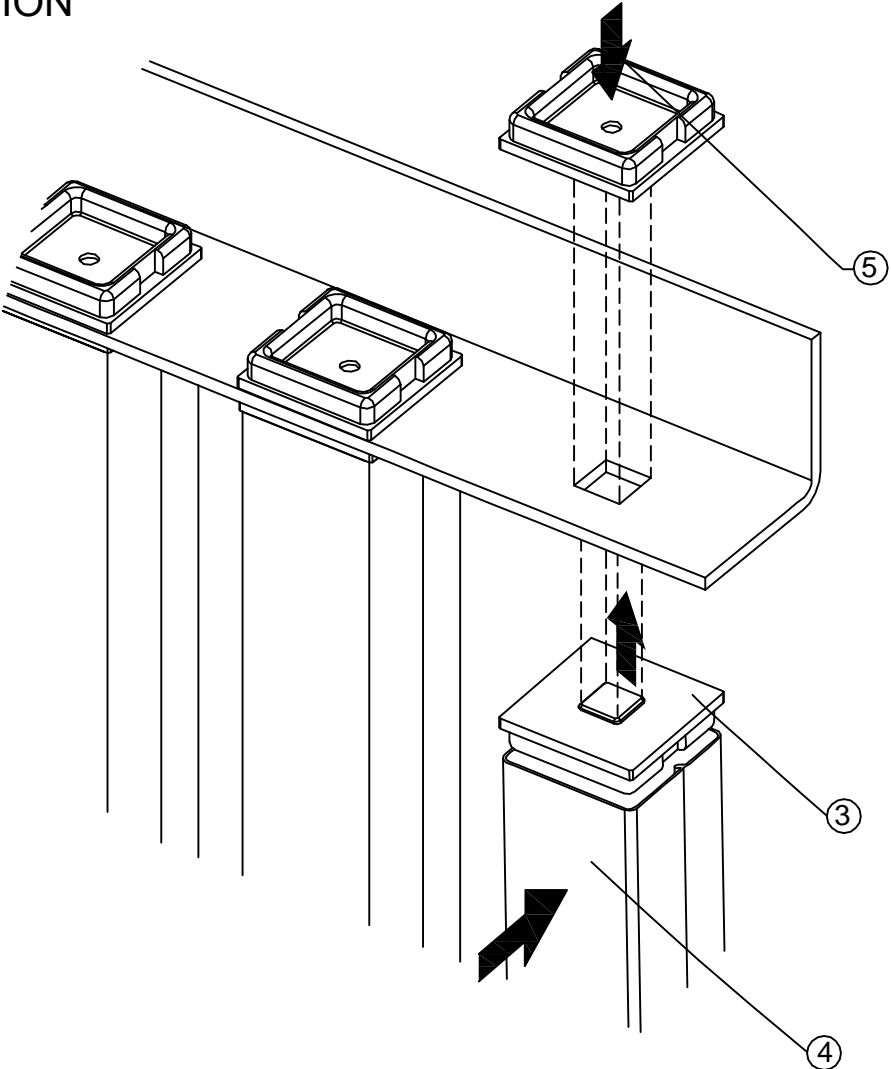
Join the upper cover and the Quadrobrise profile.

STEP 4:

Mount the assembled tube in the groove of the mounting bracket.

STEP 5:

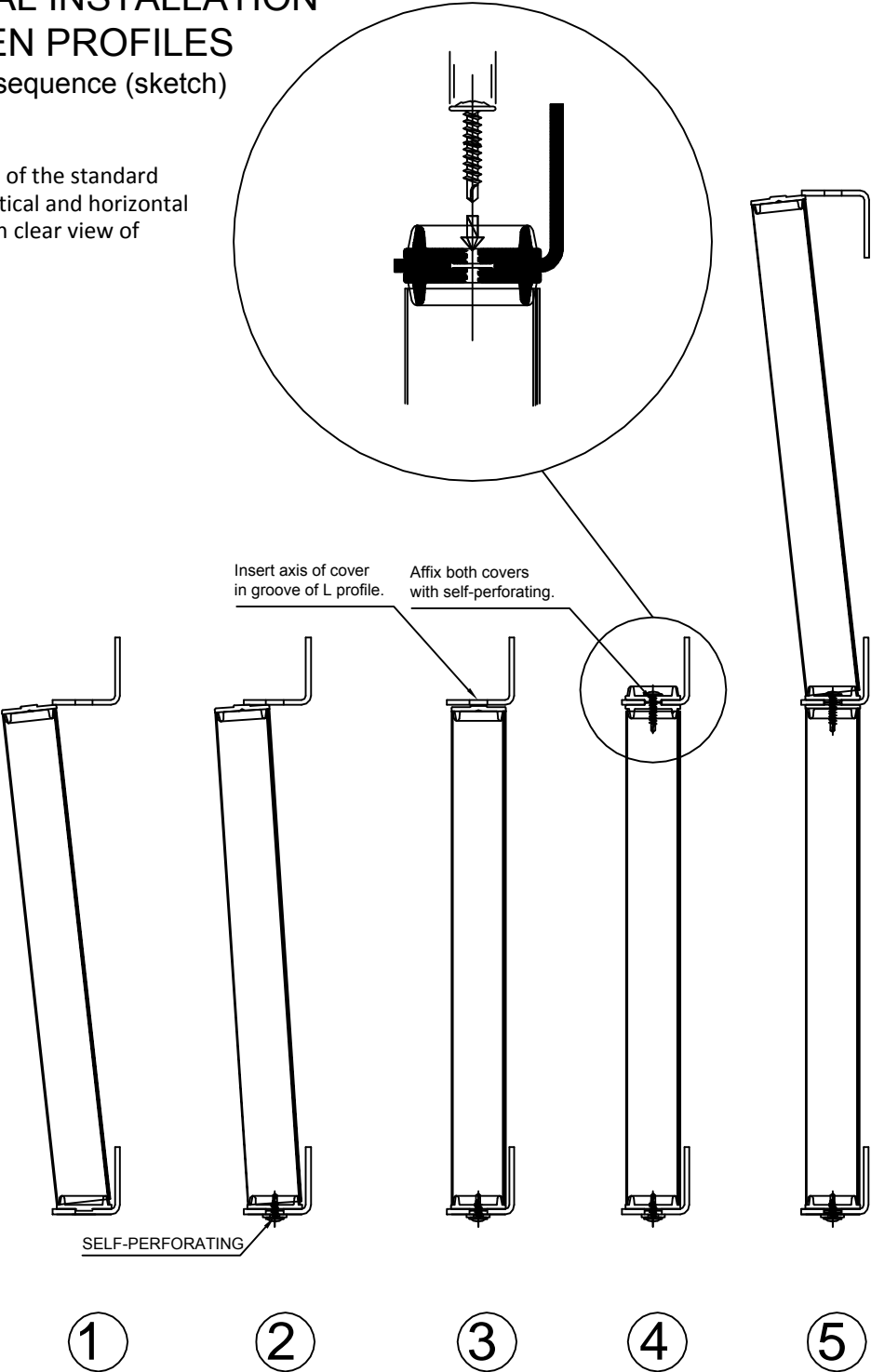
Secure the piece using the next cover through a self-perforator.



STEP 5:
No. 8 x 3/4" oval head self-perforating or similar.

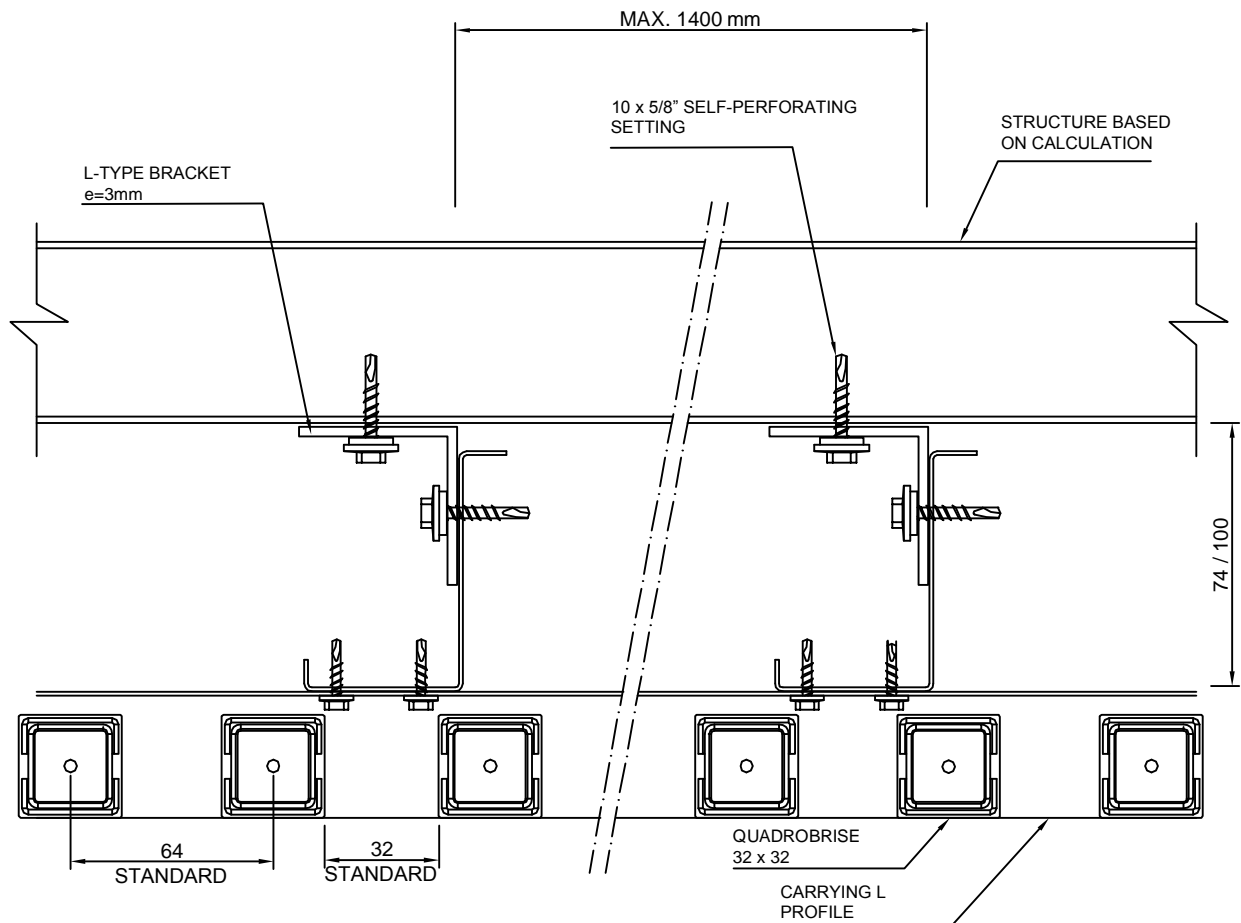
**VERTICAL INSTALLATION
BETWEEN PROFILES**
Installation sequence (sketch)

NOTE:
The installation of the standard
product for vertical and horizontal
application with clear view of
both sides.



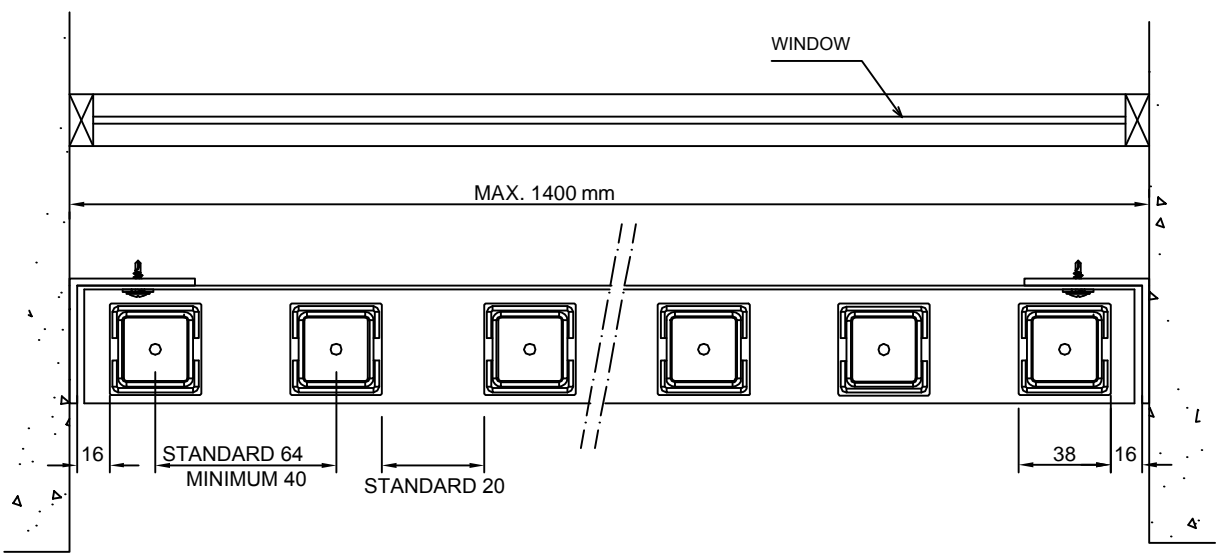
VERTICAL INSTALLATION BETWEEN PROFILES

CUT A (Page 4)
Profile installation
(sketch)

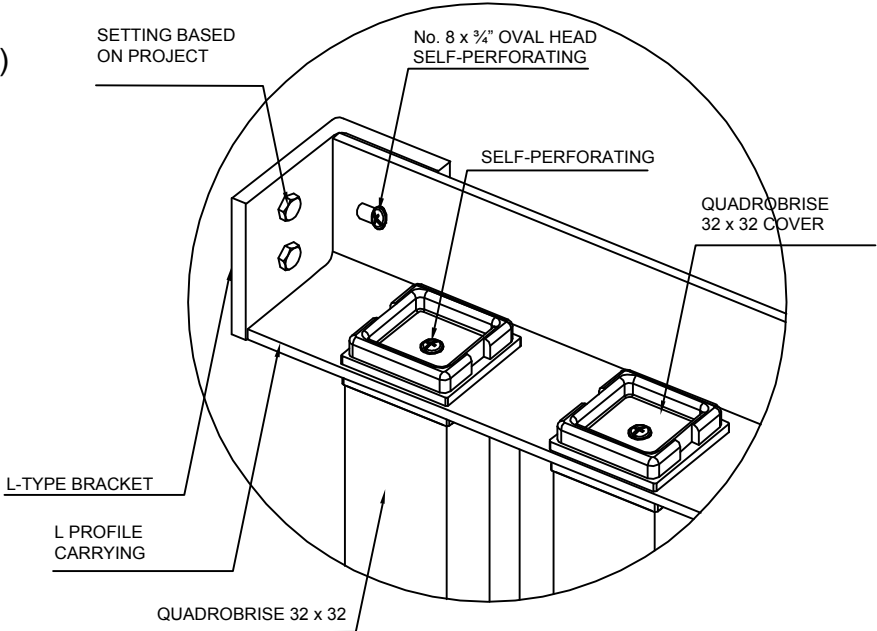


VERTICAL INSTALLATION
INSIDE OF OPENING

CUT
Installation between opening (sketch)



DETAIL
Installation in
opening (sketch)



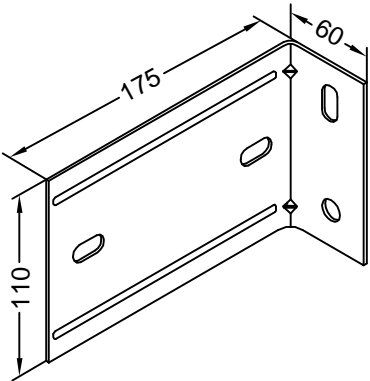
HORIZONTAL INSTALLATION BETWEEN PROFILES

We recommend this application for surfaces that are not optimally plumbed.

COMPONENTS

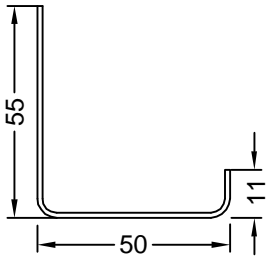
Zincalume ANCHOR BRACKET 1.2 mm

COD: 002049

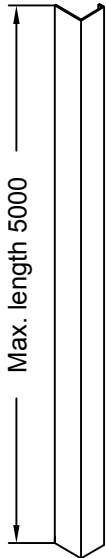


ZINCALUME MULLION PROFILE

COD: 002051



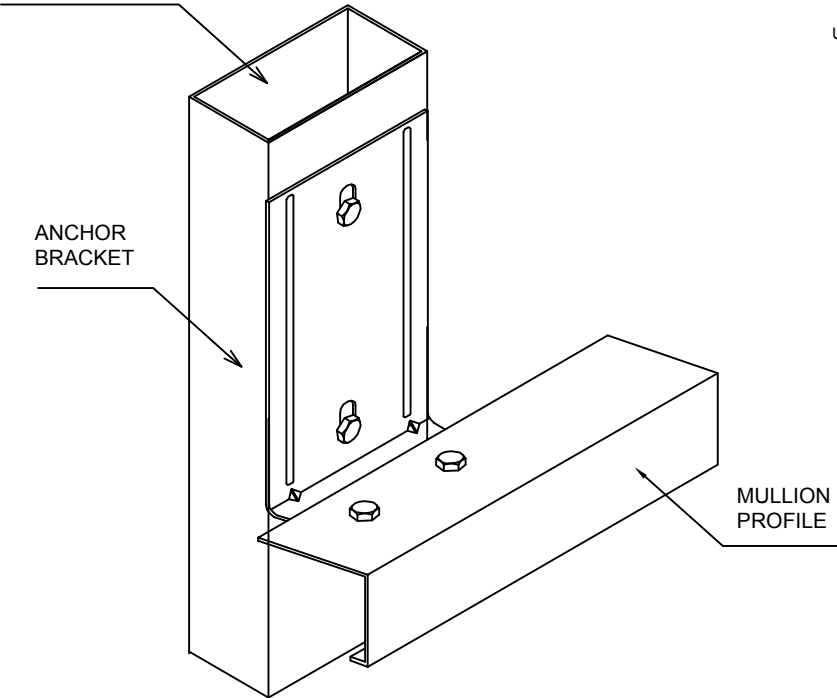
Upper view



STRUCTURE
BASED ON
CALCULATION

ANCHOR
BRACKET

MULLION
PROFILE

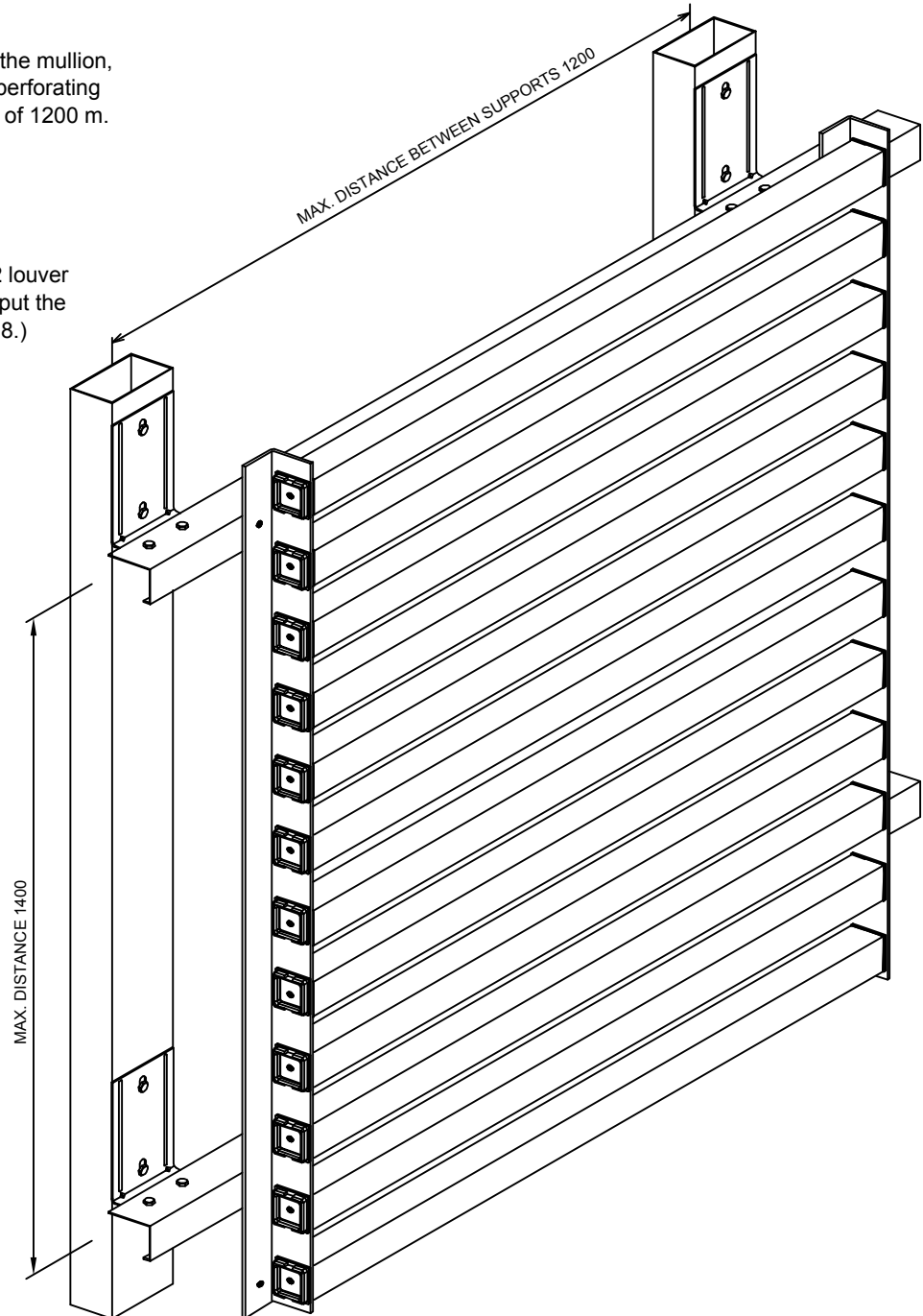


STEP 1:
Mount the anchor bracket to the structure.
Set the mullion profile to the bracket. Aligning the profile to support the louver.

QUADROBRISE 32 x 32 SET UP LEVELED WITH THE SUPPORT (sketch)

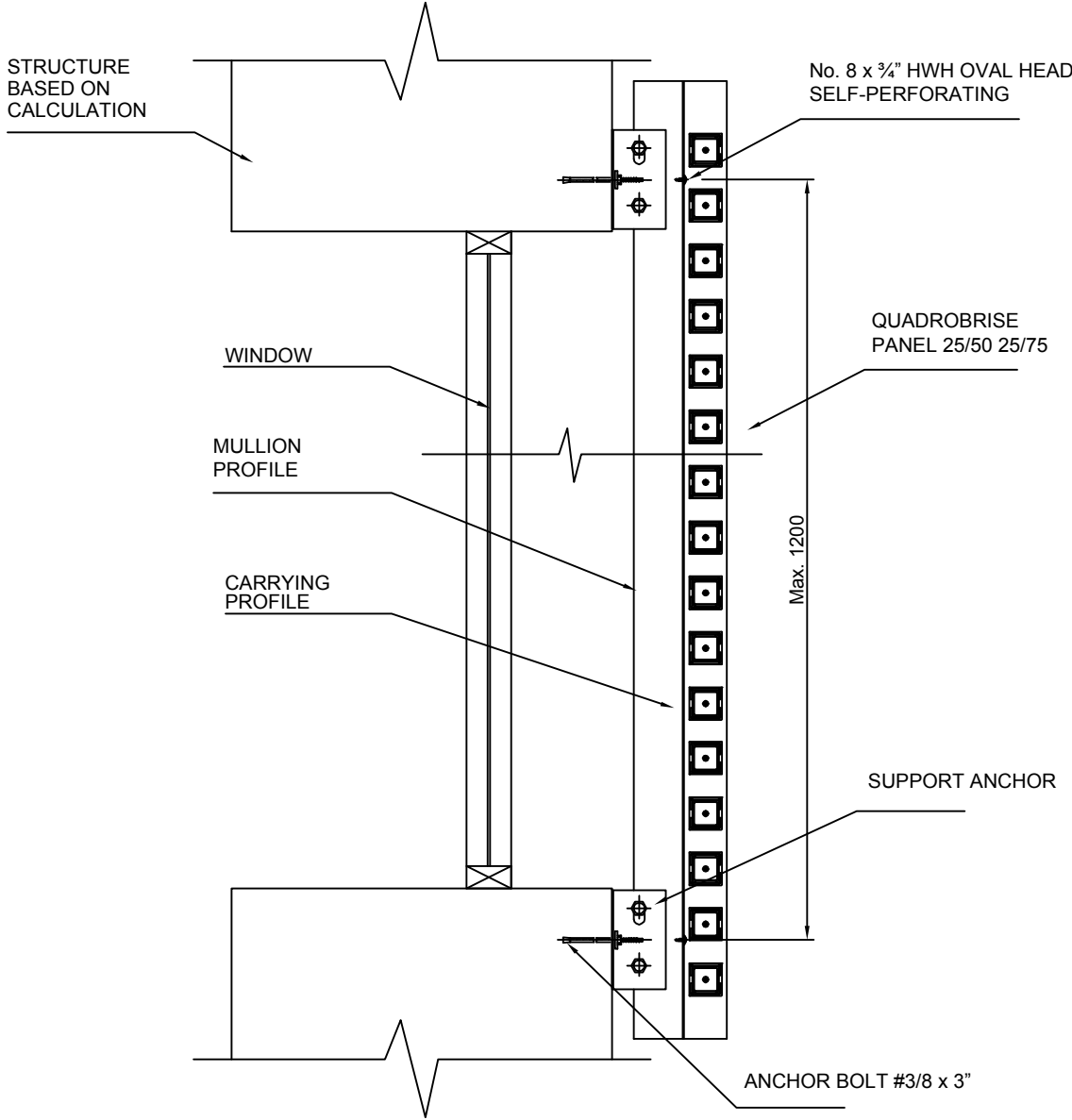
STEP 2: Mount the L profile to the mullion, with N° 8 x 3/4" oval head self perforating screws at a maximum distance of 1200 m.

STEP 3:
Place the Quadrobrise 32 x 32 louver profiles, screw them and then put the covers. (See Slides 5-6-7 and 8.)



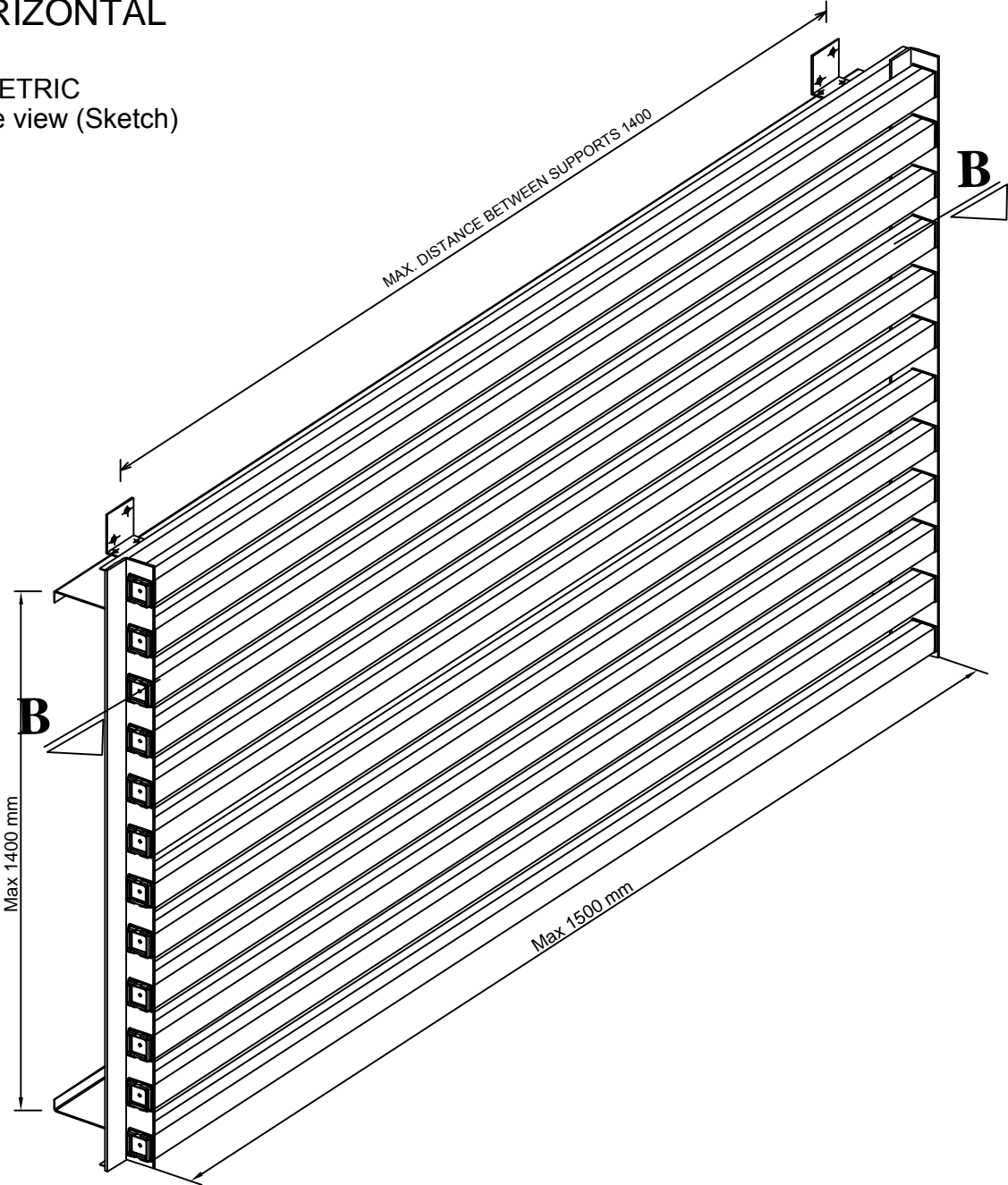
Quadrobrise 32 x 32

SIDE CUT VIEW
ASSEMBLY WITH STRUCTURE WITH TRIBRACH
DETAIL OUT OF VAIN
(Scale 1:8)



QUADROBRISE
HORIZONTAL

ISOMETRIC
Whole view (Sketch)

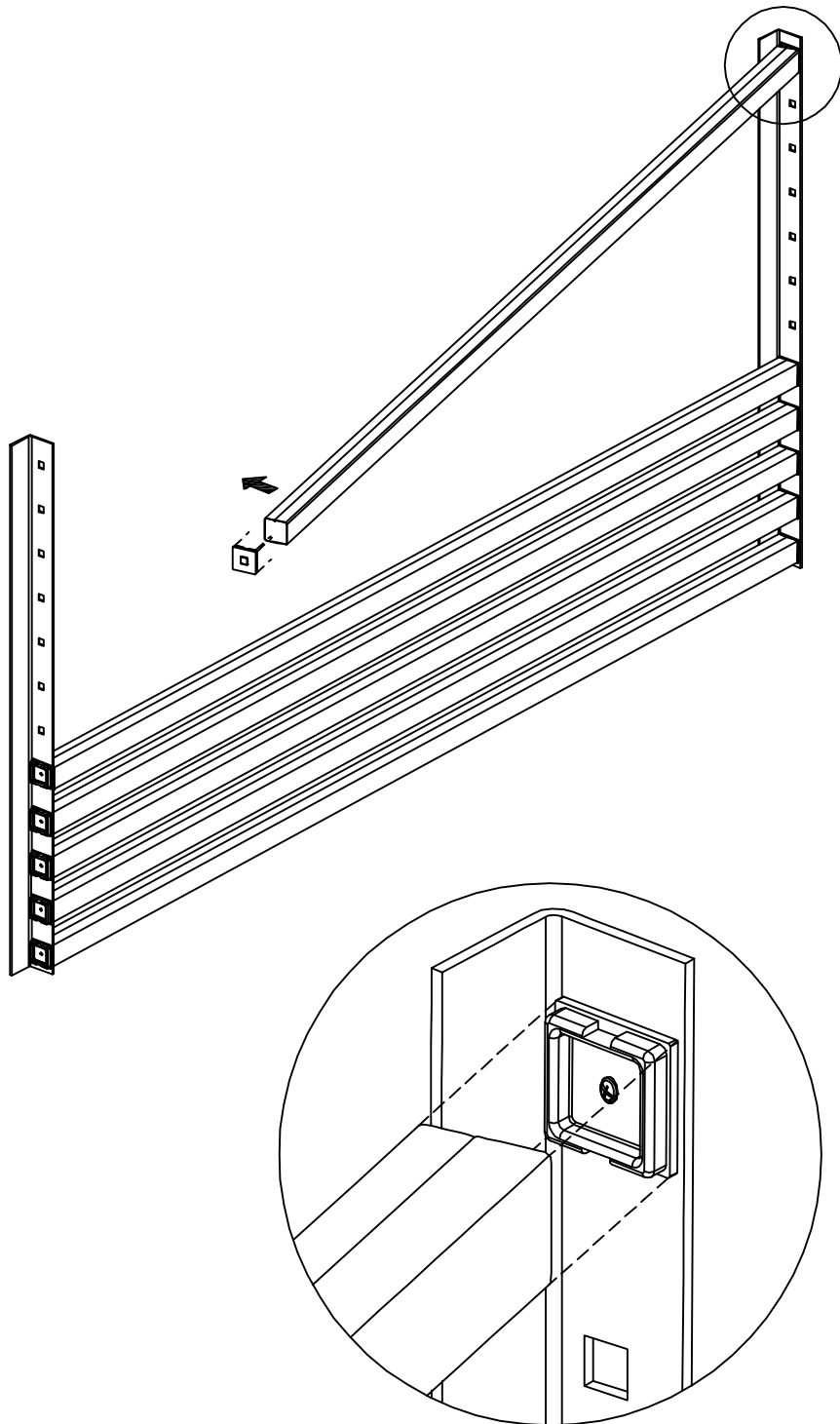


Tube installation (sketch)

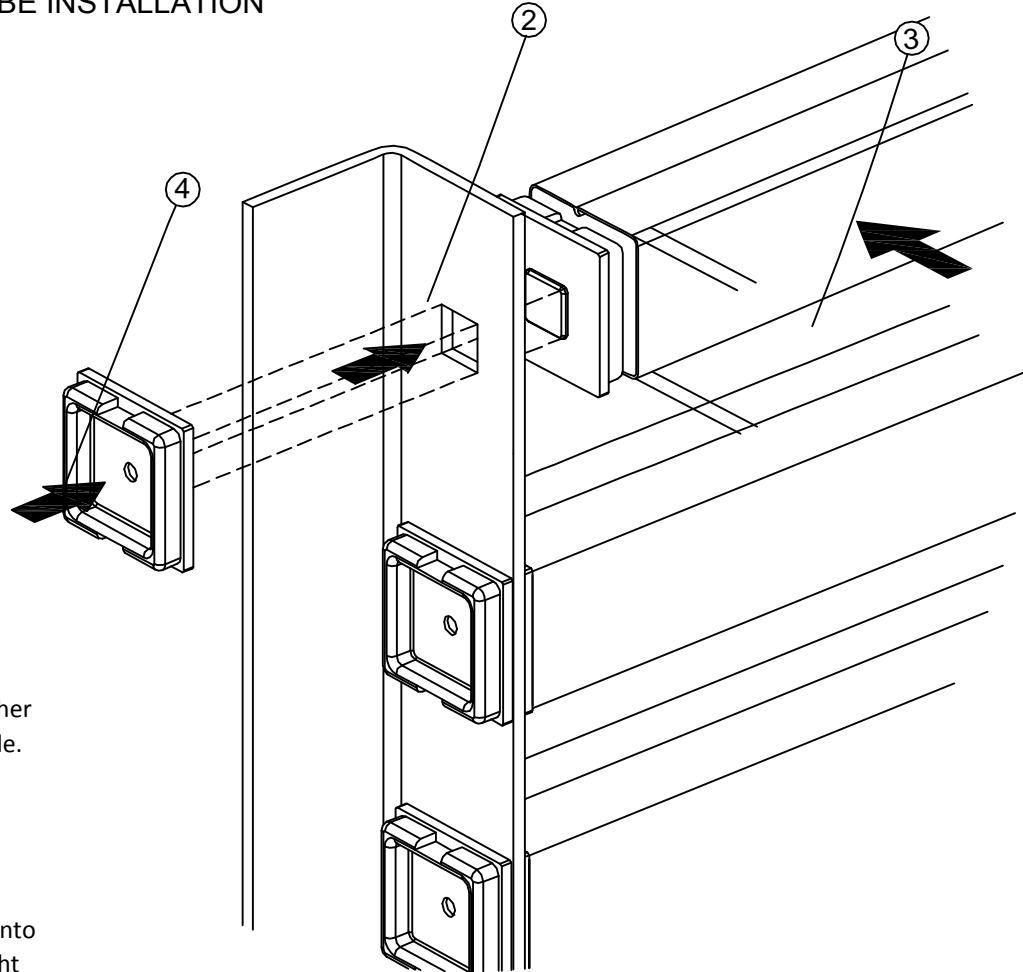
STEP 1:

Install the base cover on the
L profile (see page 5).

Fit the lower part of the
tube with the cover
installed on the upright
bracket.



HORIZONTAL TUBE INSTALLATION (sketch)



STEP 2:

Fit the cover into the other end of the Tubrise profile.

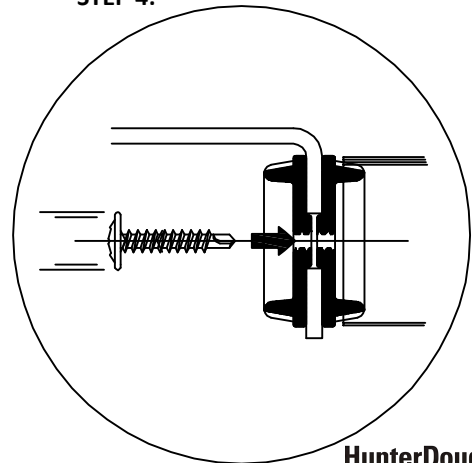
STEP 3:

Fit the assembled tube into the groove on the upright bracket.

STEP 4:

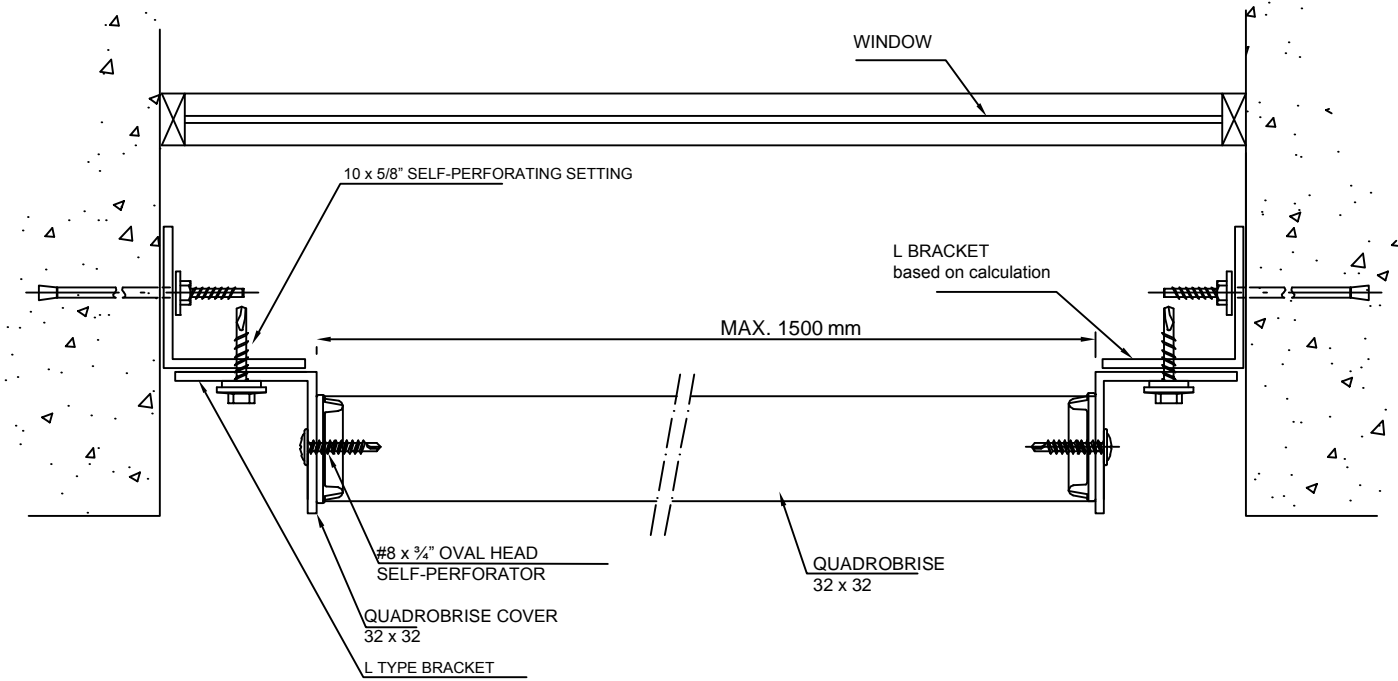
Secure the assembled piece using the next cover through a self-perforator.

STEP 4:



HORIZONTAL INSTALLATION INSIDE OF THE OPENING

Installation inside of the opening
(sketch)



HORIZONTAL INSTALLATION WITH STRUCTURE ON THE REAR FACE

Installation between walls
(Sketch)

STEP 1:

Using the oblong mullion profile, install the Quadrorise 32 x 32 with a maximum length of 6 meters. Ensure that there is space behind the structure to clinch the profile passing between the oblong spaces of the mullion profile.

