



QC50



METAL PROPERTIES

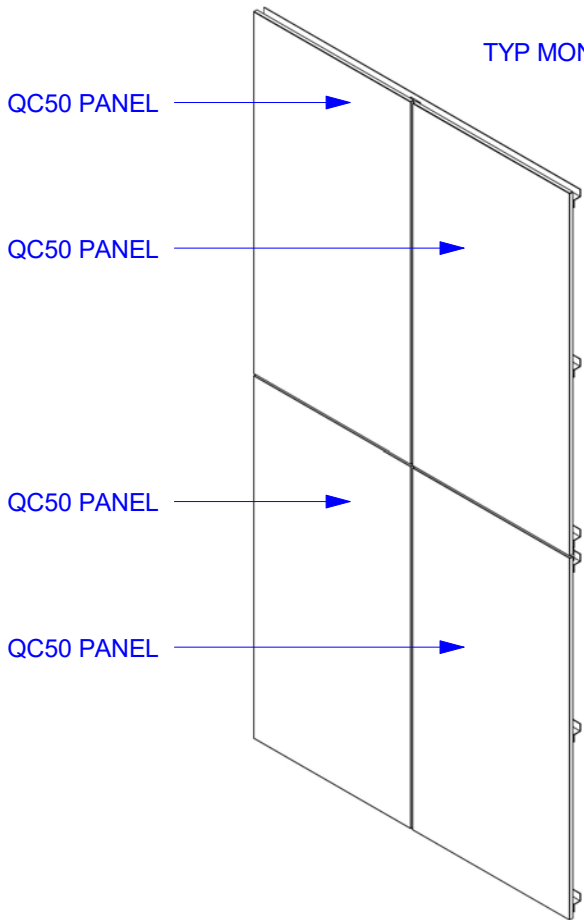
- E Modulus of Elasticity (Young Modulus)** **10100 psi**
- L Deflection Criteria of Aluminum Panel** **L/180(may vary by product)**

Product	Offered by QCF	3' X length	4' X length	5' X length	Flatness Differential	Fire Rated	NOA	Max Dim	Joint Type	Joint Sizes	Finishes Opts.	Best Orient.
QC50 (1")	YES	L / 240	L / 180	L / 120	2 x allow able code	BS 476 Class A	none	4' x 16'	Varies	Varies	Zinc/SS/Alum	Vert / Horiztl
QC100	YES	L / 240	L / 180	L / 120	2 x allow able code	BS 476 Class A	none	5' x 20'	Labrinth	1"	Zinc/Alum	Vertical
QC200	YES	L / 240	L / 180	L / 120	2 x allow able code	BS 476 Class A	none	5' x 20'	Ship Lap	1/2"	Zinc/Alum	Vert / Horiztl
QC300	YES	L / 240	L / 180	L / 120	2 x allow able code	NFPA 285 Class A	Certified	5' x 20'	Open	3/8"	Zinc/Alum	Vert / Horiztl
QC SI (Plate)	YES	L / 180	L / 120	L / 60	Minimum Code	All Alum. Const.	-	5' x 20'	Ship Lap	1/2"	Zinc/Alum	Vert / Horiztl
ACM - Plastic Core	NO	L / 180	L / 120	L / 60	Minimum Code	Non - approved	Varies	4' x 14'	4' x 14'	varies	Zinc/SS/Alum	Vert / Horiztl
Storefront Mullions	NO	L / 120	L / 120	L / 120		Varies	Varies	N/A	N/A	N/A	Zinc/SS/Alum	N/A

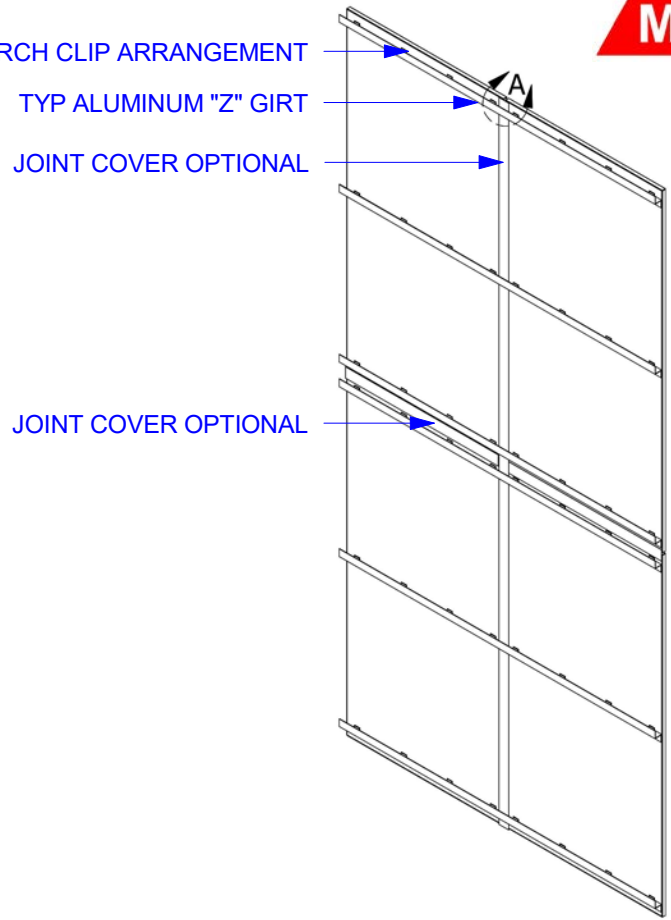
*Standard Panel Code Minimum = L / 60 @ 50psf, figures based on 50psf

NOTE:
WALLS, WINDOW SYSTEMS, WATERPROOFING, INSULATION, SEALANT, FLASHING, ANCHORS, & FASTENERS SHOWN FOR CONTEXT AND ILLUSTRATION PURPOSES ONLY. THESE COMPONENTS ARE NOT PROVIDED BY QC FACADES THEY ARE TO BE COORDINATED & SUPPLIED BY THE INSTALLER OR OTHER RELEVANT TRADES. PLEASE CONSULT THE RELEVANT EXPERT ABOUT ALL COMPONENTS OUTSIDE OF QC FACADES SYSTEM'S SCOPE.

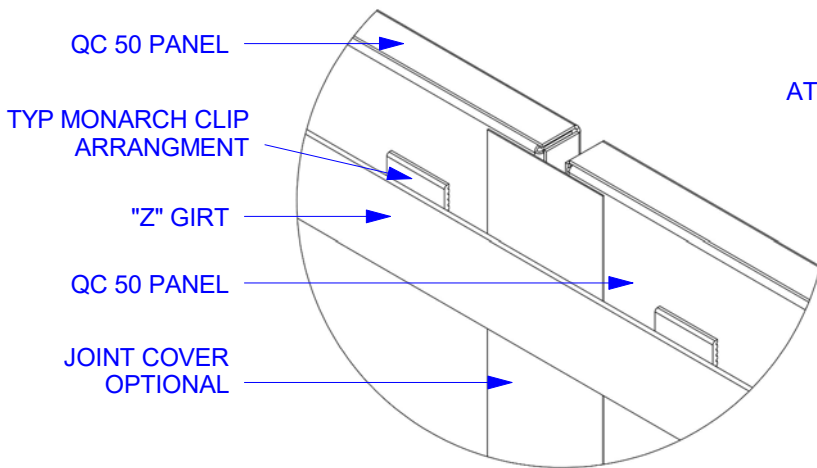
THIS DRAWING IS COPYRIGHT AND SHOULD NOT BE USED OR REPRODUCED FOR ANY PURPOSE OTHER THAN FOR WHICH IT IS SUPPLIED, WITHOUT WRITTEN CONSENT FROM QC FACADES. DRAWINGS ARE NOT TO SCALE. DETAILS PROVIDED FOR TYPICAL CONDITIONS ONLY AND ACTUAL PROJECT REQUIREMENTS MAY VARY. ©2016 QC FACADES



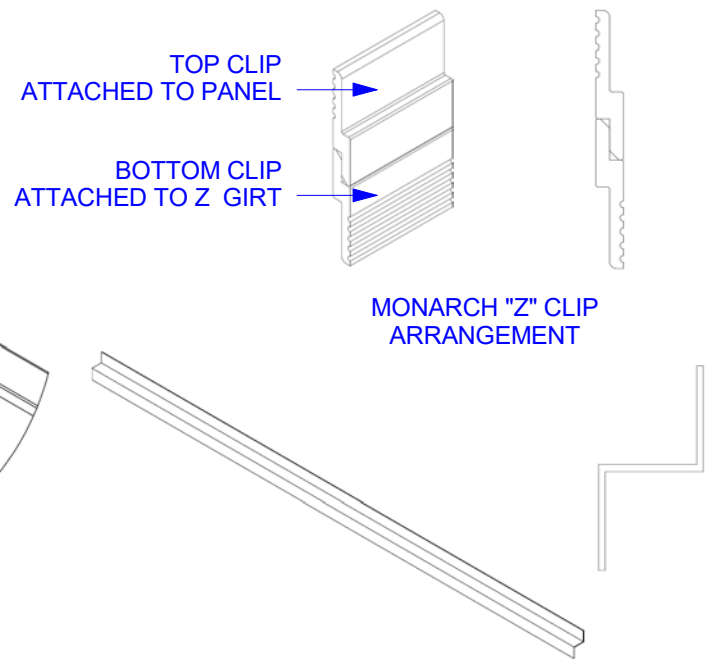
PANEL ARRANGEMENT FRONT



PANEL ARRANGEMENT BACK



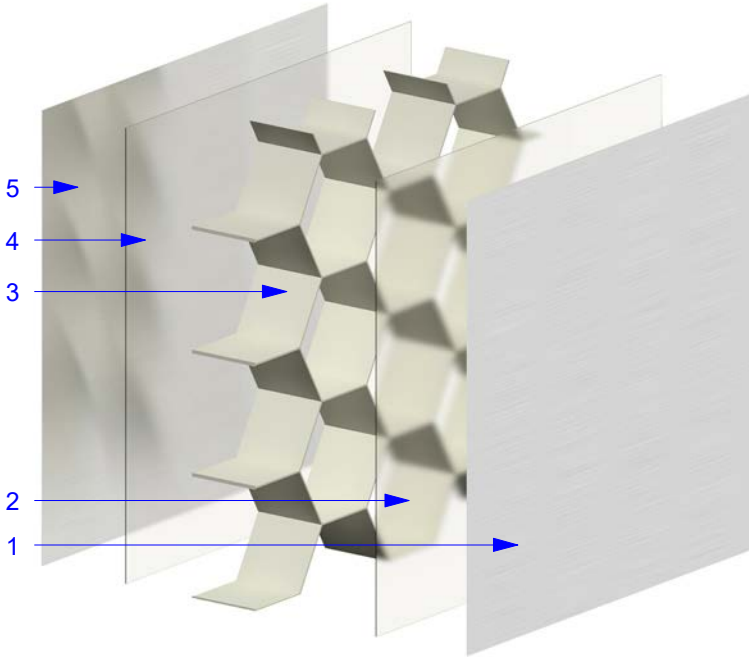
DETAIL A - REAR PANEL ASSEMBLY



ALUMINUM "Z" GIRT

NOTE:
WALLS, WINDOW SYSTEMS, WATERPROOFING, INSULATION, SEALANT, FLASHING, ANCHORS, & FASTENERS SHOWN FOR CONTEXT AND ILLUSTRATION PURPOSES ONLY. THESE COMPONENTS ARE NOT PROVIDED BY QC FACADES THEY ARE TO BE COORDINATED & SUPPLIED BY THE INSTALLER OR OTHER RELEVANT TRADES. PLEASE CONSULT THE RELEVANT EXPERT ABOUT ALL COMPONENTS OUTSIDE OF QC FACADES SYSTEM'S SCOPE.

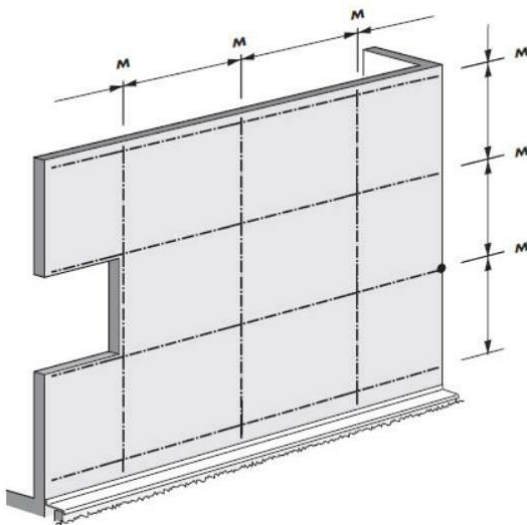
THIS DRAWING IS COPYRIGHT AND SHOULD NOT BE USED OR REPRODUCED FOR ANY PURPOSE OTHER THAN FOR WHICH IT IS SUPPLIED, WITHOUT WRITTEN CONSENT FROM QC FACADES. DRAWINGS ARE NOT TO SCALE. DETAILS PROVIDED FOR TYPICAL CONDITIONS ONLY AND ACTUAL PROJECT REQUIREMENTS MAY VARY. ©2016 QC FACADES



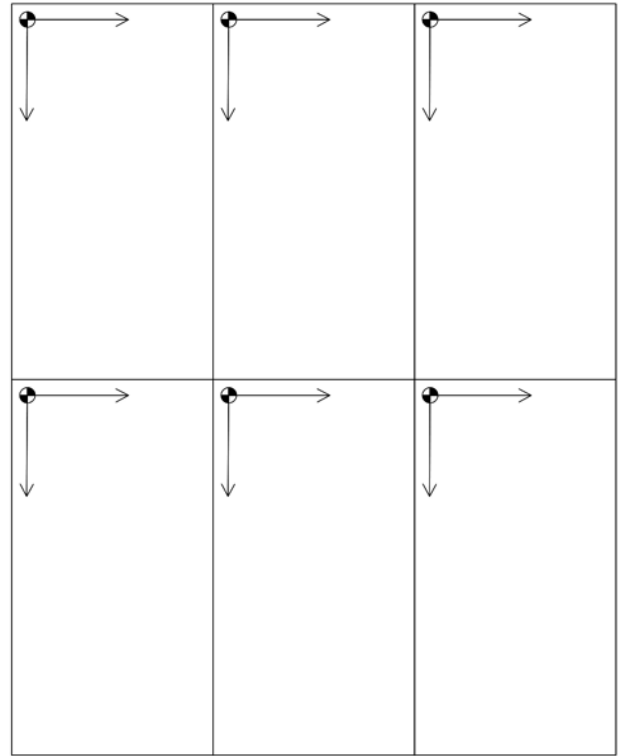
QUADROCLAD METAL FACADE PANELS

OUR METAL FACADES FEATURE LIGHTWEIGHT SKINS FUSED TO AN EXPANDED HONEYCOMB CORE OF ALUMINUM FOR EXTREME STRENGTH AND FLATNESS IN SIZES UP TO UP 1500MM(4.9FT) WIDE AND 4875MM(16FT) LONG. OUR SYSTEM OFFERS SPECIALTY SHAPES AND CURVES, AS WELL AS A WIDE RANGE OF COLORS.

- 1 = PRE-COATED AND ROLL FORMED ALUMINUM
- 2 = ADHESIVE FILE
- 3 = ALUMINUM HONEYCOMB
- 4 = ADHESIVE FILE
- 5 = PRE-COATED ALUMINUM INTERNAL SKIN



PANEL WALL PLACEMENT

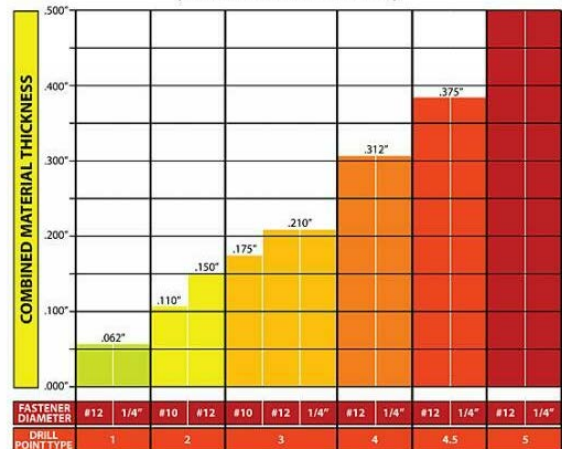


PANEL FIXING LAYOUT

*NOTE: PANELS ARE TO BE FIXED IN TOP LEFT CORNER

SELF-DRILLING SCREWS – DRILLING CAPACITY

(COMBINED MATERIAL THICKNESS)

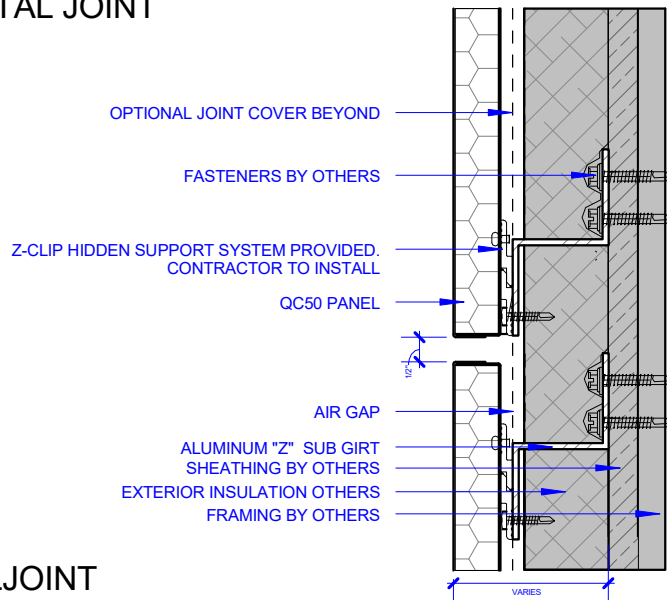


DRILLING CAPACITY

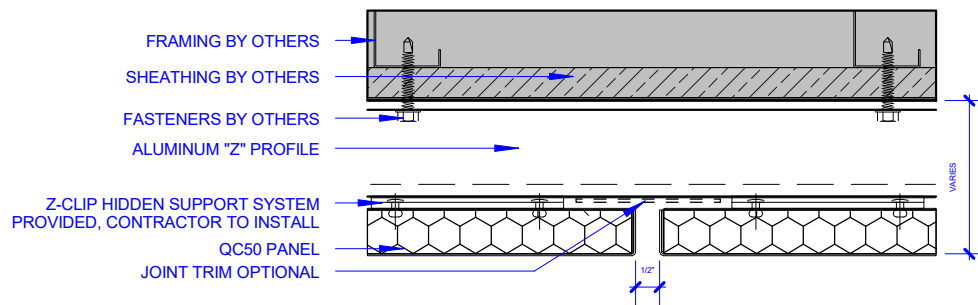
NOTE: WALLS, WINDOW SYSTEMS, WATERPROOFING, INSULATION, SEALANT, FLASHING, ANCHORS, & FASTENERS SHOWN FOR CONTEXT AND ILLUSTRATION PURPOSES ONLY. THESE COMPONENTS ARE NOT PROVIDED BY QC FACADES THEY ARE TO BE COORDINATED & SUPPLIED BY THE INSTALLER OR OTHER RELEVANT TRADES. PLEASE CONSULT THE RELEVANT EXPERT ABOUT ALL COMPONENTS OUTSIDE OF QC FACADES SYSTEM'S SCOPE.

THIS DRAWING IS COPYRIGHT AND SHOULD NOT BE USED OR REPRODUCED FOR ANY PURPOSE OTHER THAN FOR WHICH IT IS SUPPLIED, WITHOUT WRITTEN CONSENT FROM QC FACADES. DRAWINGS ARE NOT TO SCALE. DETAILS PROVIDED FOR TYPICAL CONDITIONS ONLY AND ACTUAL PROJECT REQUIREMENTS MAY VARY. ©2016 QC FACADES

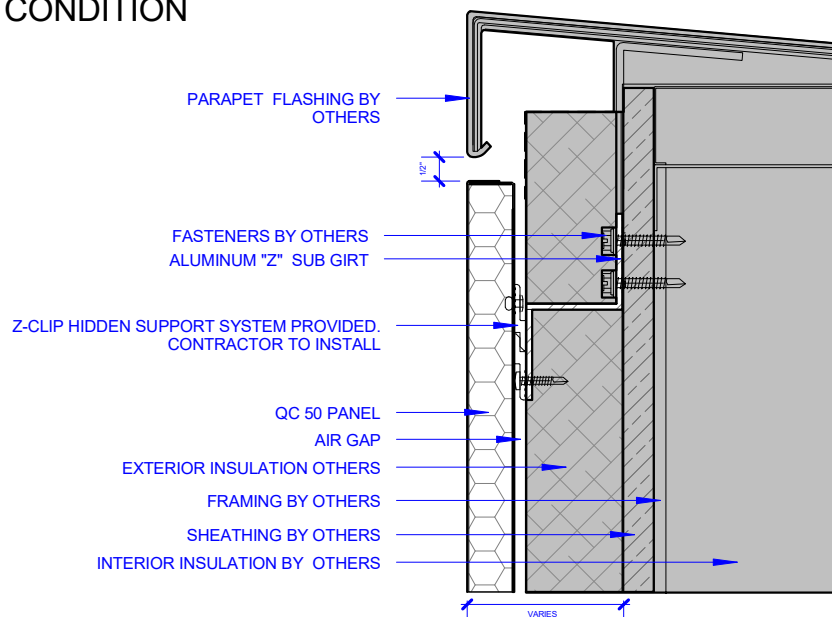
A HORIZONTAL JOINT



B VERTICAL JOINT



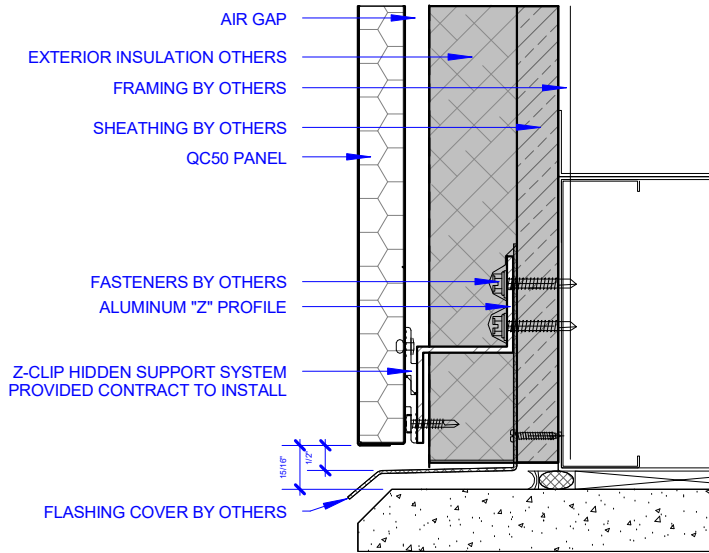
C PARAPET CONDITION



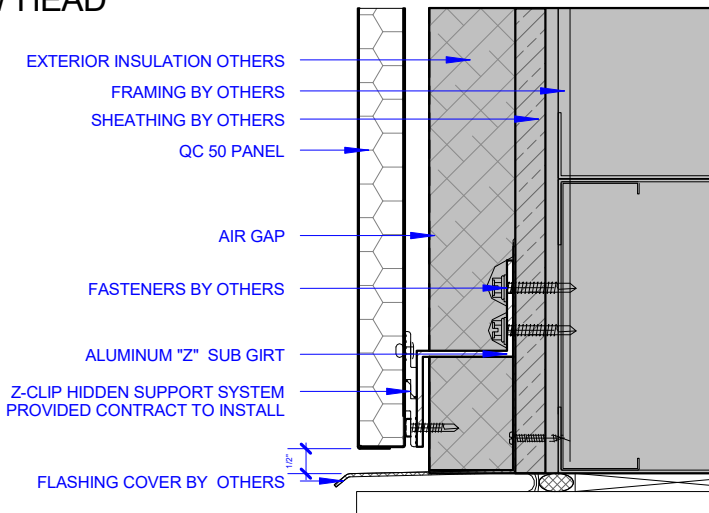
NOTE:
WALLS, WINDOW SYSTEMS, WATERPROOFING, INSULATION, SEALANT, FLASHING, ANCHORS, & FASTENERS SHOWN FOR CONTEXT AND ILLUSTRATION PURPOSES ONLY. THESE COMPONENTS ARE NOT PROVIDED BY QC FACADES THEY ARE TO BE COORDINATED & SUPPLIED BY THE INSTALLER OR OTHER RELEVANT TRADES. PLEASE CONSULT THE RELEVANT EXPERT ABOUT ALL COMPONENTS OUTSIDE OF QC FACADES SYSTEM'S SCOPE.

THIS DRAWING IS COPYRIGHT AND SHOULD NOT BE USED OR REPRODUCED FOR ANY PURPOSE OTHER THAN FOR WHICH IT IS SUPPLIED, WITHOUT WRITTEN CONSENT FROM QC FACADES. DRAWINGS ARE NOT TO SCALE. DETAILS PROVIDED FOR TYPICAL CONDITIONS ONLY AND ACTUAL PROJECT REQUIREMENTS MAY VARY. ©2016 QC FACADES

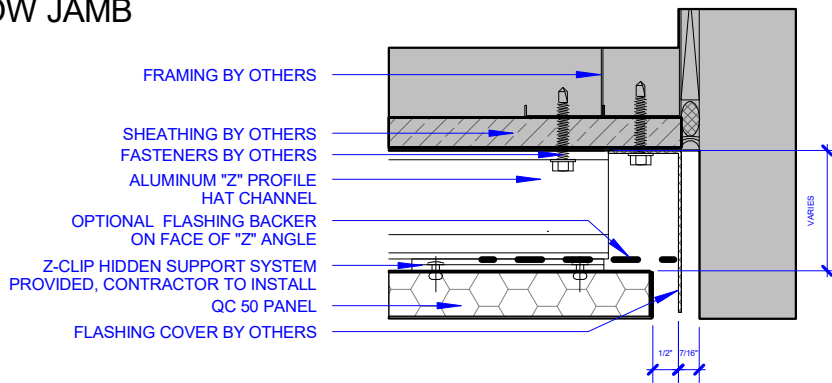
D BOTTOM OF WALL



E WINDOW HEAD



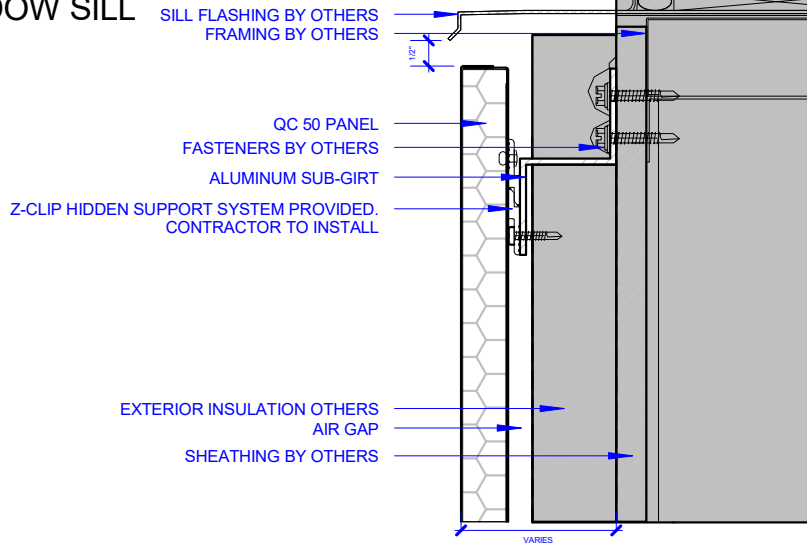
F WINDOW JAMB



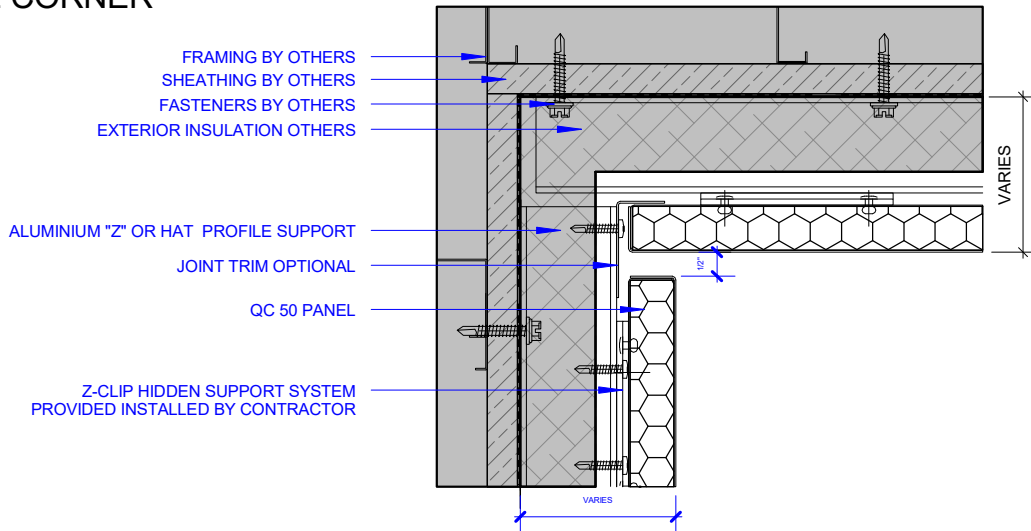
NOTE:
 WALLS, WINDOW SYSTEMS, WATERPROOFING, INSULATION, SEALANT, FLASHING, ANCHORS, & FASTENERS SHOWN FOR CONTEXT AND ILLUSTRATION PURPOSES ONLY. THESE COMPONENTS ARE NOT PROVIDED BY QC FAÇADES THEY ARE TO BE COORDINATED & SUPPLIED BY THE INSTALLER OR OTHER RELEVANT TRADES. PLEASE CONSULT THE RELEVANT EXPERT ABOUT ALL COMPONENTS OUTSIDE OF QC FAÇADES SYSTEM'S SCOPE.

THIS DRAWING IS COPYRIGHT AND SHOULD NOT BE USED OR REPRODUCED FOR ANY PURPOSE OTHER THAN FOR WHICH IT IS SUPPLIED, WITHOUT WRITTEN CONSENT FROM QC FAÇADES. DRAWINGS ARE NOT TO SCALE. DETAILS PROVIDED FOR TYPICAL CONDITIONS ONLY AND ACTUAL PROJECT REQUIREMENTS MAY VARY. ©2016 QC FAÇADES

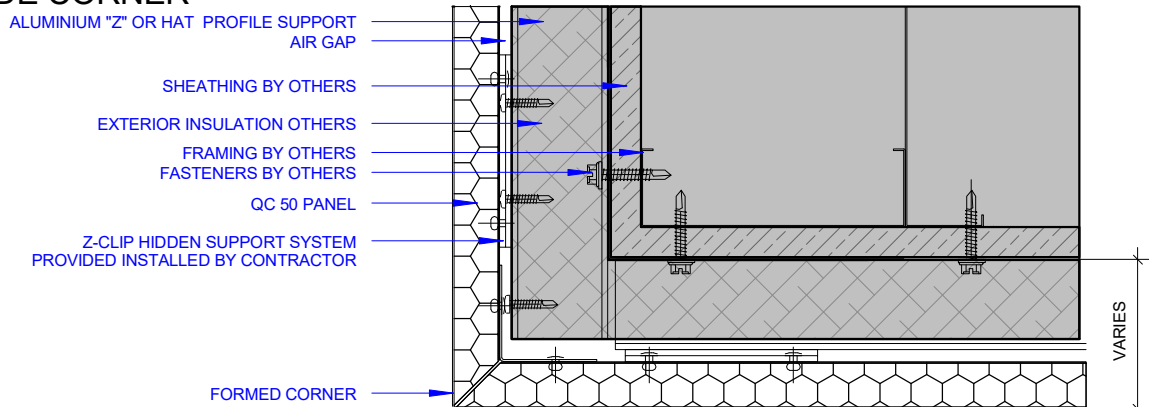
G WINDOW SILL



H INSIDE CORNER



I OUTSIDE CORNER



NOTE:
WALLS, WINDOW SYSTEMS, WATERPROOFING, INSULATION, SEALANT, FLASHING, ANCHORS, & FASTENERS SHOWN FOR CONTEXT AND ILLUSTRATION PURPOSES ONLY. THESE COMPONENTS ARE NOT PROVIDED BY QC FACADES THEY ARE TO BE COORDINATED & SUPPLIED BY THE INSTALLER OR OTHER RELEVANT TRADES. PLEASE CONSULT THE RELEVANT EXPERT ABOUT ALL COMPONENTS OUTSIDE OF QC FACADES SYSTEM'S SCOPE.

THIS DRAWING IS COPYRIGHT AND SHOULD NOT BE USED OR REPRODUCED FOR ANY PURPOSE OTHER THAN FOR WHICH IT IS SUPPLIED, WITHOUT WRITTEN CONSENT FROM QC FACADES. DRAWINGS ARE NOT TO SCALE. DETAILS PROVIDED FOR TYPICAL CONDITIONS ONLY AND ACTUAL PROJECT REQUIREMENTS MAY VARY. ©2016 QC FACADES