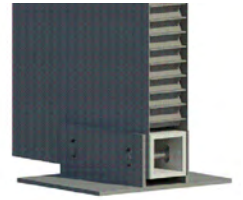
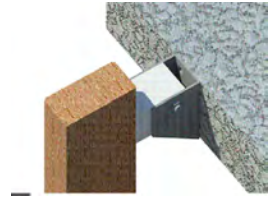


TECHNICAL MANUAL

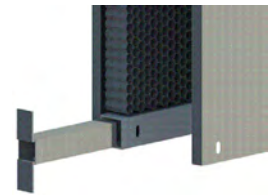
LOUVER



FLAT 25/50 LOUVRE

Project Engineering and Technical Support

HunterDouglas 
Architectural



FLAT 25-50 LOUVRE

PRODUCT DESCRIPTION

This horizontal and/or vertical louvre is composed of rectangular, flat panels with two metallic sheets on the exterior joined by Aluminum honeycomb. The interior is composed of a support structure that gives the panel rigidity. This keeps the panel attached to the project structure.

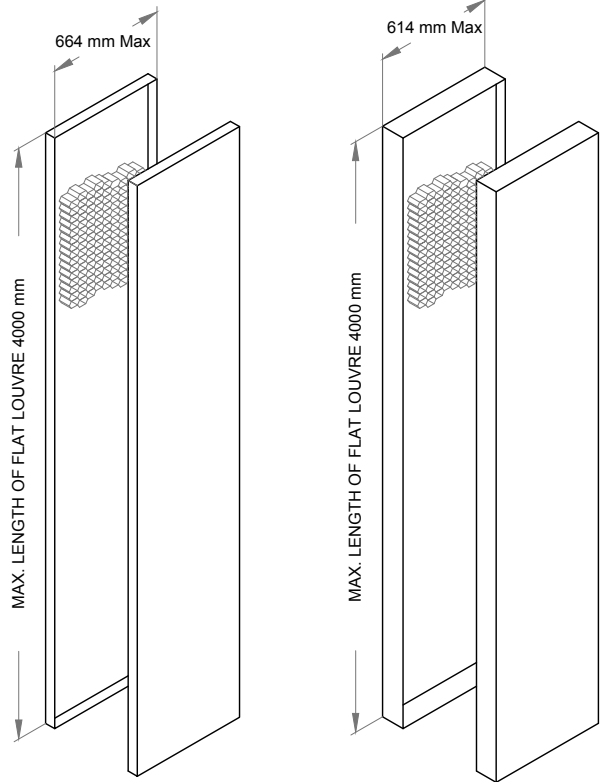
- MATERIAL : Zinalume
- THICKNESS : Zinalume between 0.6 and 0.8 mm (depends on project/product models and details)
- COLORS : Available in over 100 standard colors and custom colors
- USES : Louver
- FINISH : Smooth
- MAX. LOUVRE LENGTH : 4000 mm
- YIELD : Depends on the project
- MAX. MODULE : 664 mm (Flat 25 mm)
614 mm (Flat 50 mm)

TABLE OF WEIGHTS (STANDARD PRODUCT)

PRODUCT	MATERIAL	MODULE	TYPE	THICKNESS	WEIGHT kg/m ²
FLAT 25	ZINCALUME	664	TRAY	0.8	6.9
			COVER	0.6	5.1
		559	TRAY	0.8	7.0
			COVER	0.6	5.2
		459	TRAY	0.8	7.1
			COVER	0.6	5.2
359	TRAY	0.8	7.3		
	COVER	0.6	5.3		

PRODUCT	MATERIAL	MODULE	TYPE	THICKNESS	WEIGHT kg/m ²
FLAT 50	ZINCALUME	614	TRAY	0.8	7.5
			COVER	0.6	5.5
		509	TRAY	0.8	7.7
			COVER	0.6	5.7
		409	TRAY	0.8	8.0
			COVER	0.6	5.9
		309	TRAY	0.8	8.5
			COVER	0.6	6.2

FLAT LOUVRE



FLAT 25
COD: 003708

FLAT 50
COD: 003112

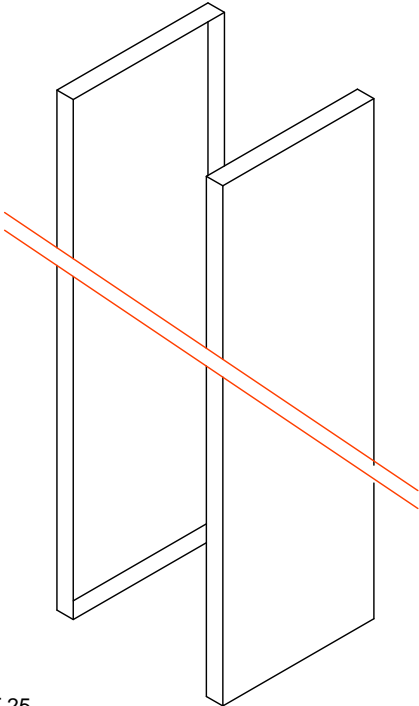
NOTE:

1. Final geometry should be validated based on studies of the load.
2. All measurements expressed in millimeters.
3. Contact the Technical Department for special measurements.
4. Product requires detail engineering for the entire product.

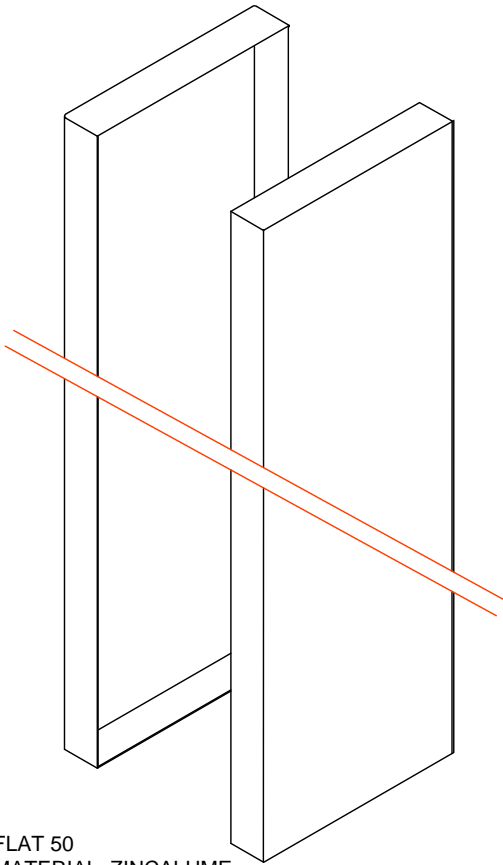


FLAT 25-50 LOUVRE

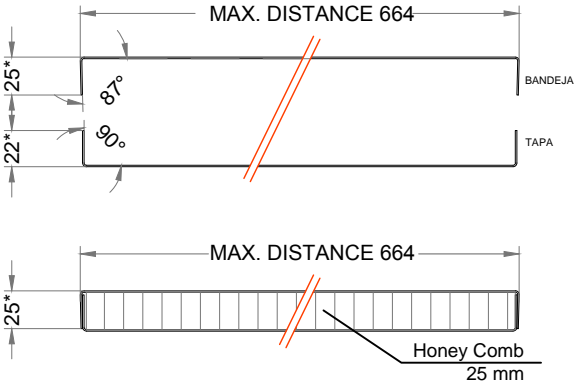
COMPONENTS



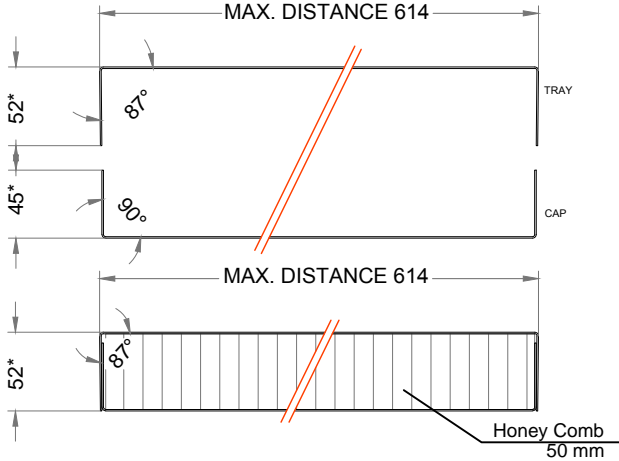
FLAT 25
MATERIAL: ZINCALUME
TRAY 0.8mm COVER 0.6mm



FLAT 50
MATERIAL: ZINCALUME
TRAY 0.8mm COVER 0.6mm



FLAT 25 SECTION

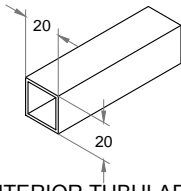


FLAT 50 SECTION

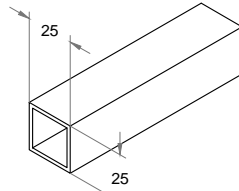
* Dimensions are general and for reference.
* The detail should be validated for each project.

COMPONENTS

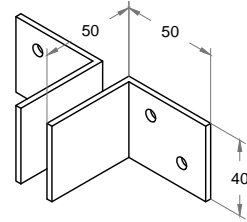
FOR FLAT 25



INTERIOR TUBULAR PROFILE
PROFILE 20 x 20 x 1.5 mm
MATERIAL: ELECTRO PAINTED
GALVANIZED STEEL

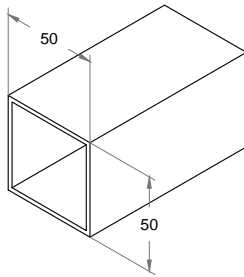


TUBULAR MOUNT PROFILE
PROFILE 25 x 25 x 2 mm
MATERIAL: ELECTRO PAINTED
GALVANIZED STEEL

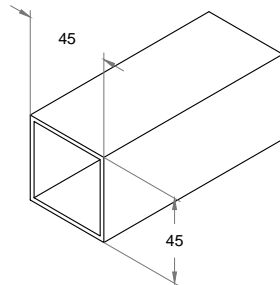


2 HD MOUNT BRACKETS
L 50x50x3mm L=40mm
MATERIAL: GALVANIZED STEEL (FOR
ZINC ALUMINUM STRIP)
ELECTRO PAINTED ALUMINUM (FOR
ALUMINUM STRIP)

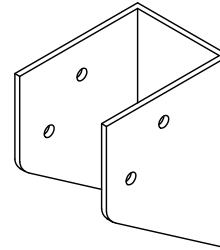
FOR FLAT 50



INTERIOR TUBULAR PROFILE
PROFILE 50 x 50 x 2 mm
MATERIAL: ELECTRO PAINTED ALUMINUM



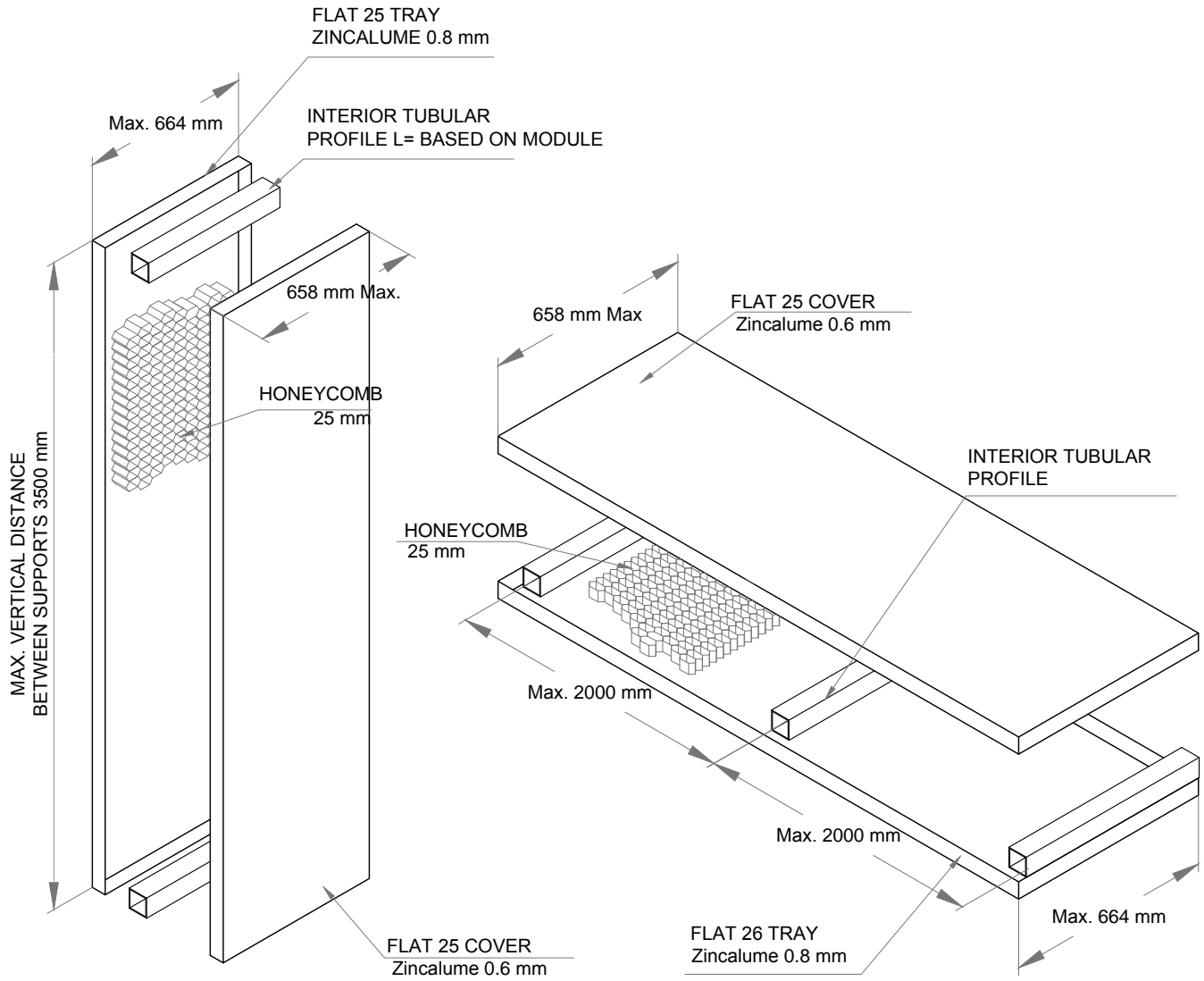
TUBULAR PROFILE MOUNT PROFILE 45 x 45 x 2 mm
MATERIAL: ELECTRO PAINTED ALUMINUM



SPECIAL HD MOUNT BRACKET
MATERIAL: ELECTRO PAINTED ALUMINUM

Note: Contact Technical Department regarding other anchors.

FLAT 25 SUNSCREEN FLAT STRUCTURE



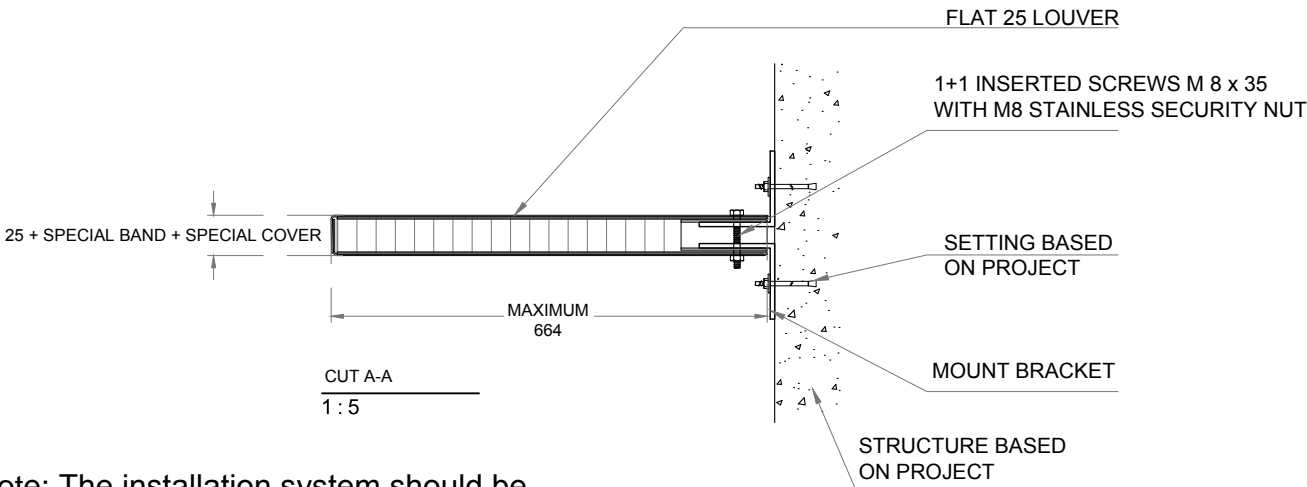
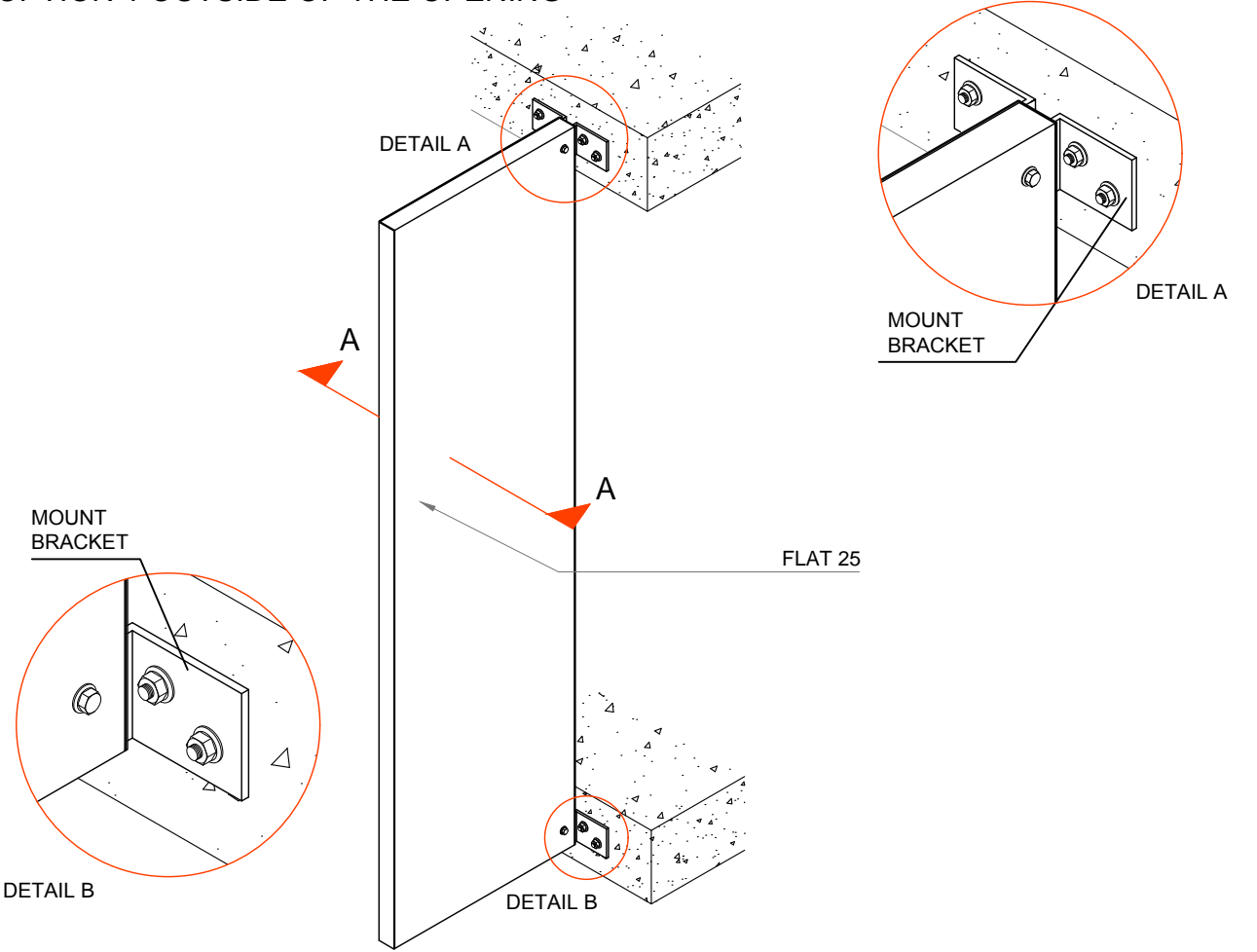
****MAXIMUM LENGTHS**
VERTICAL 3.5m
HORIZONTAL 2m

***OPTIMAL MODULES**
664 mm
559 mm
459 mm
359 mm

FLAT 25 LOUVRE

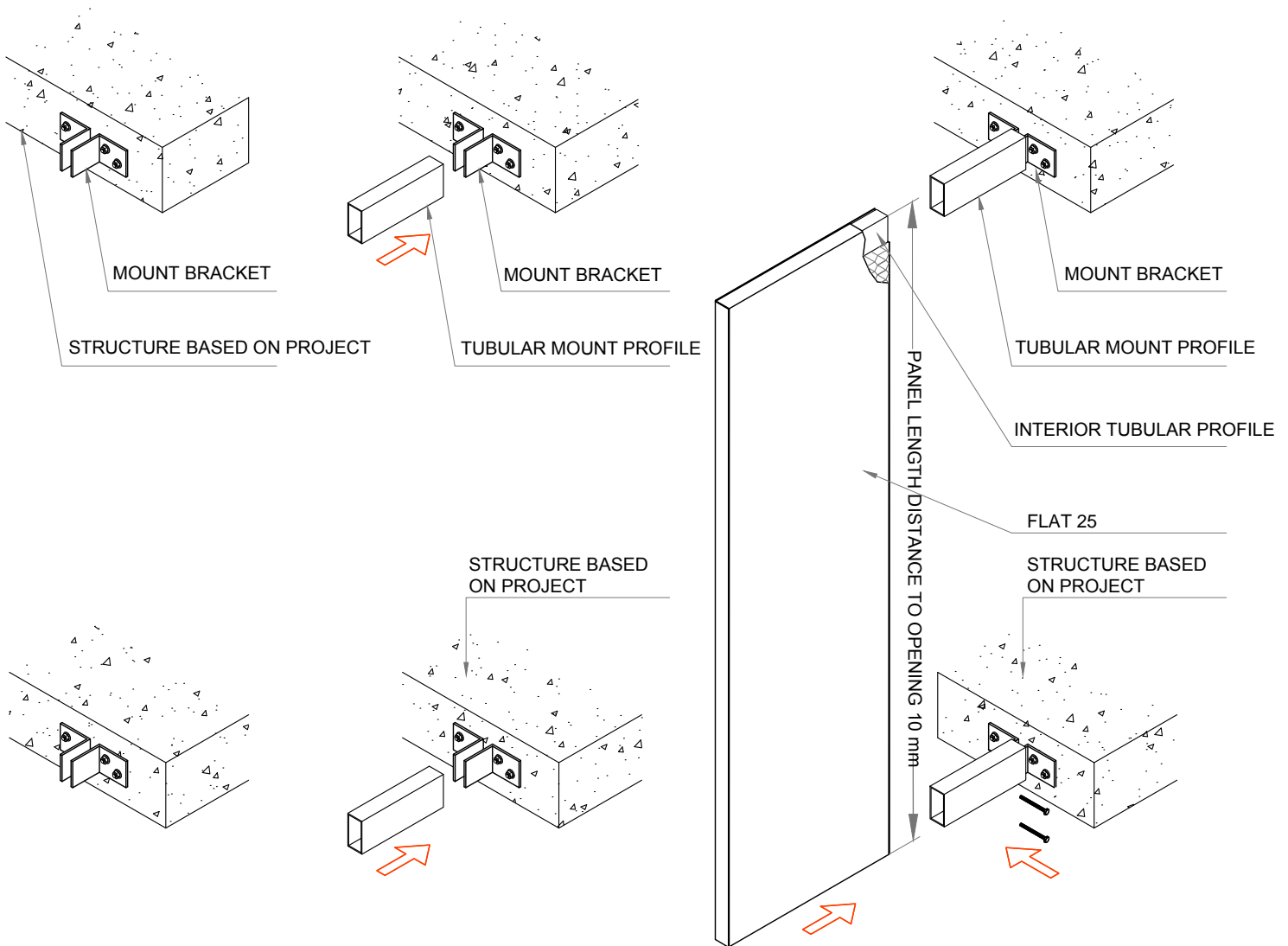
FLAT 25 SUNSCREEN INSTALLATION

1- OPTION 1 OUTSIDE OF THE OPENING



Note: The installation system should be revised for each project.

INSTALLATION OUTSIDE OF OPENINGS



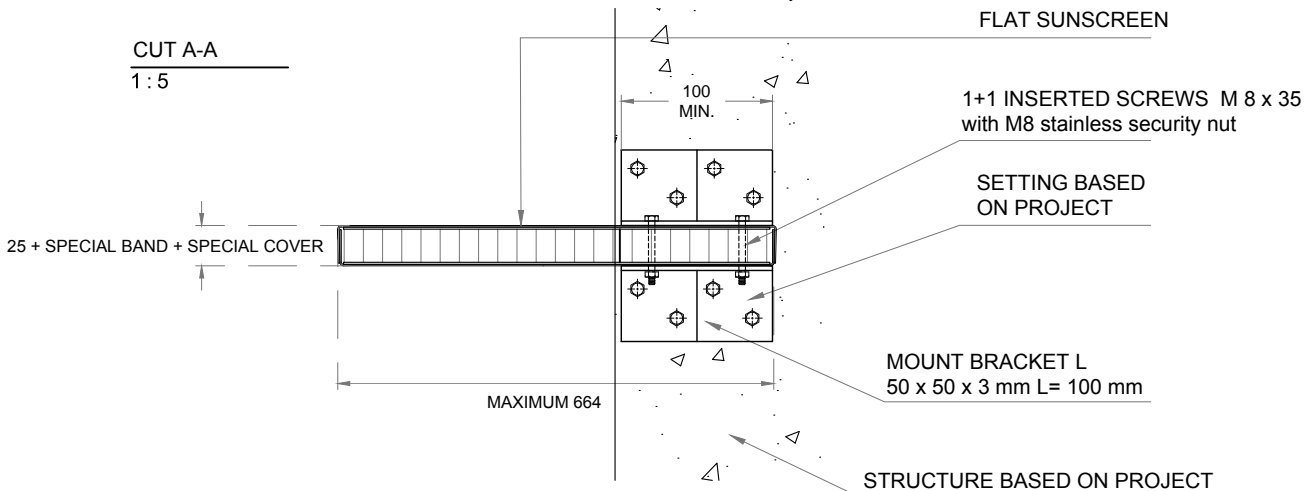
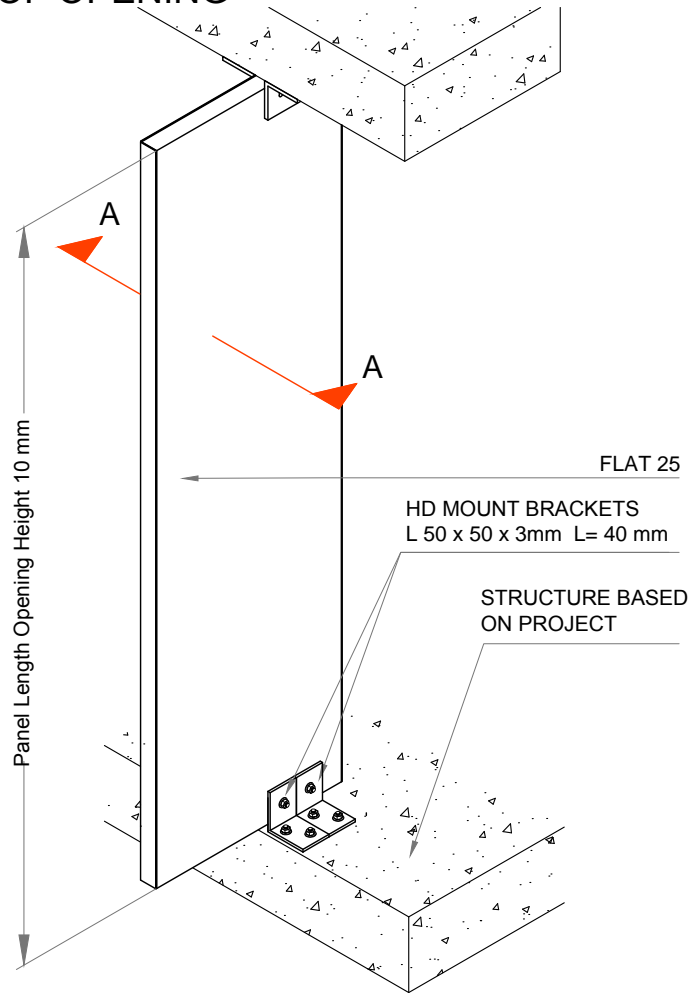
STEP 1
Install the mount brackets on the structure based on the project. The installation of the brackets will vary by project.

STEP 2
2 Install the tubular mount profile on the brackets that have been affixed to the structure.

STEP 3
Install the flat assembled sunscreen (tray, cover, tubular interior profile and honeycomb), fitting the tubular mount with the interior tubular and affixing the Flat using inserted screws.

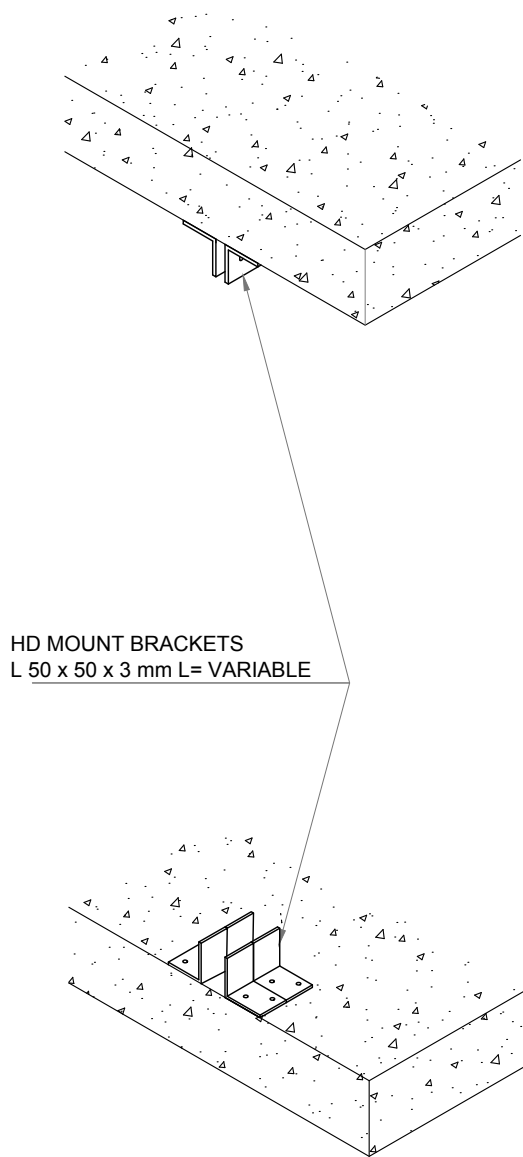
FLAT 25 SUNSCREEN INSTALLATION

2- OPTION 2 INSIDE OF OPENING



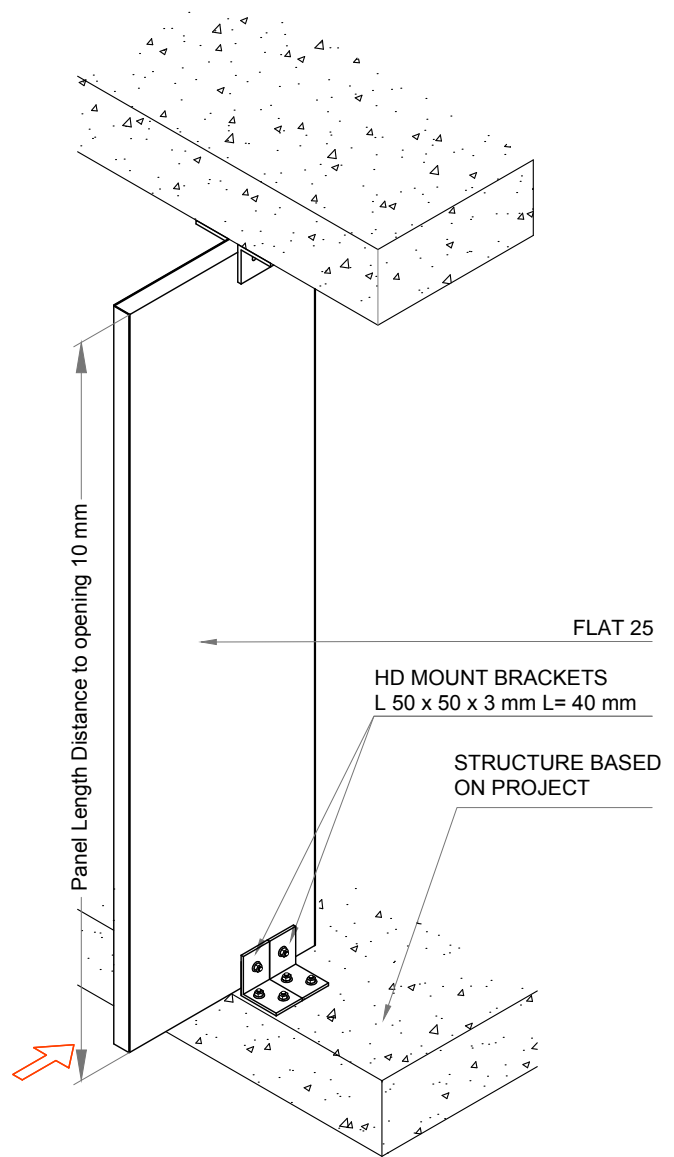
Note: The installation system should be revised for each project.

INSTALLATION INSIDE OF OPENING



HD MOUNT BRACKETS
L 50 x 50 x 3 mm L= VARIABLE

STEP 1
Design and installation of
mount brackets and settings
to be detailed based on
project.



Panel Length Distance to opening 10 mm

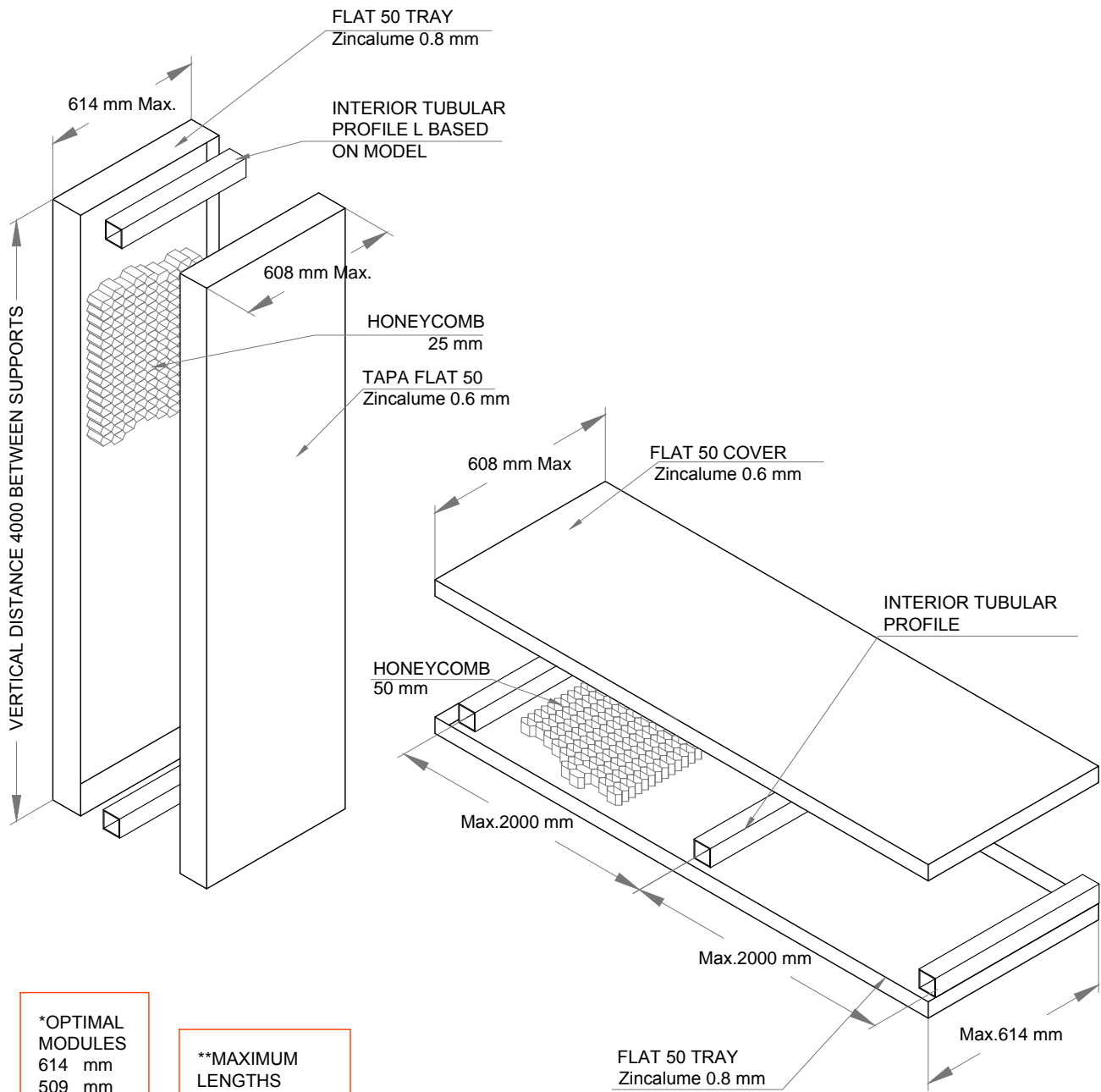
FLAT 25

HD MOUNT BRACKETS
L 50 x 50 x 3 mm L= 40 mm

STRUCTURE BASED ON
PROJECT

STEP 2
Place Flat in separation
between brackets and affix
using inserted screws.

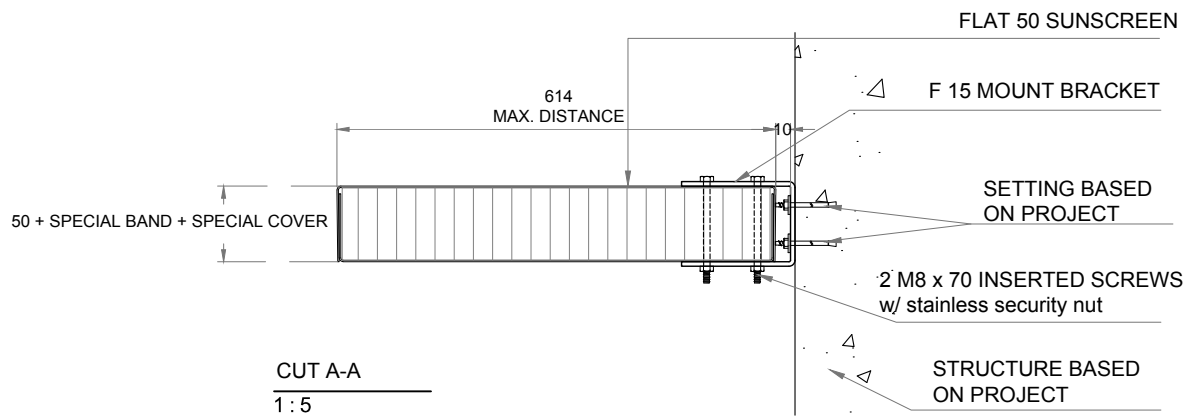
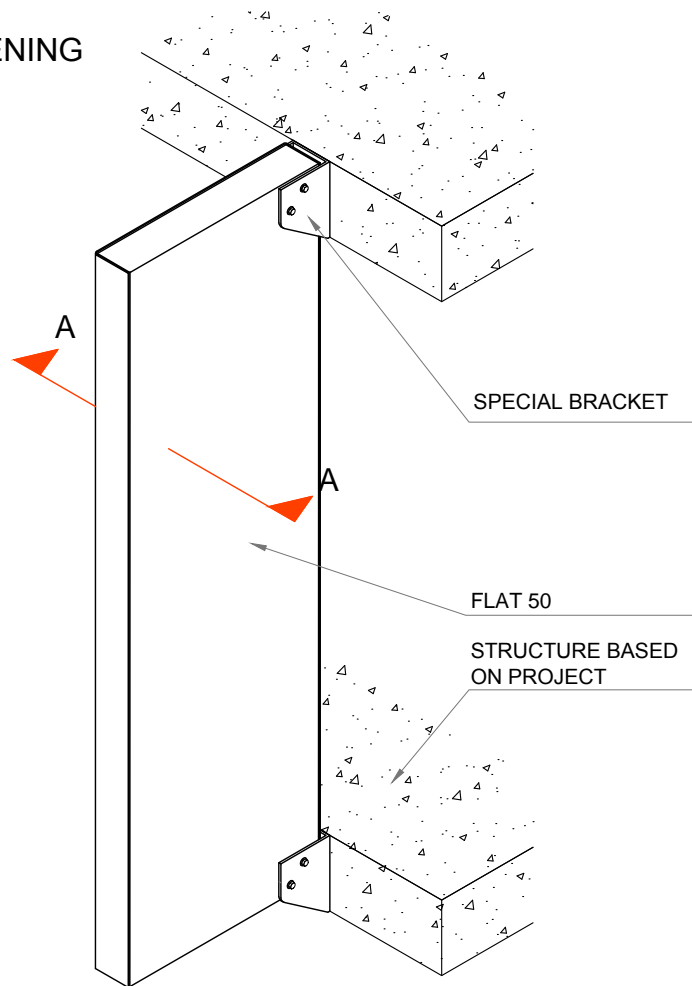
FLAT 50 SUNSCREEN FLAT STRUCTURE



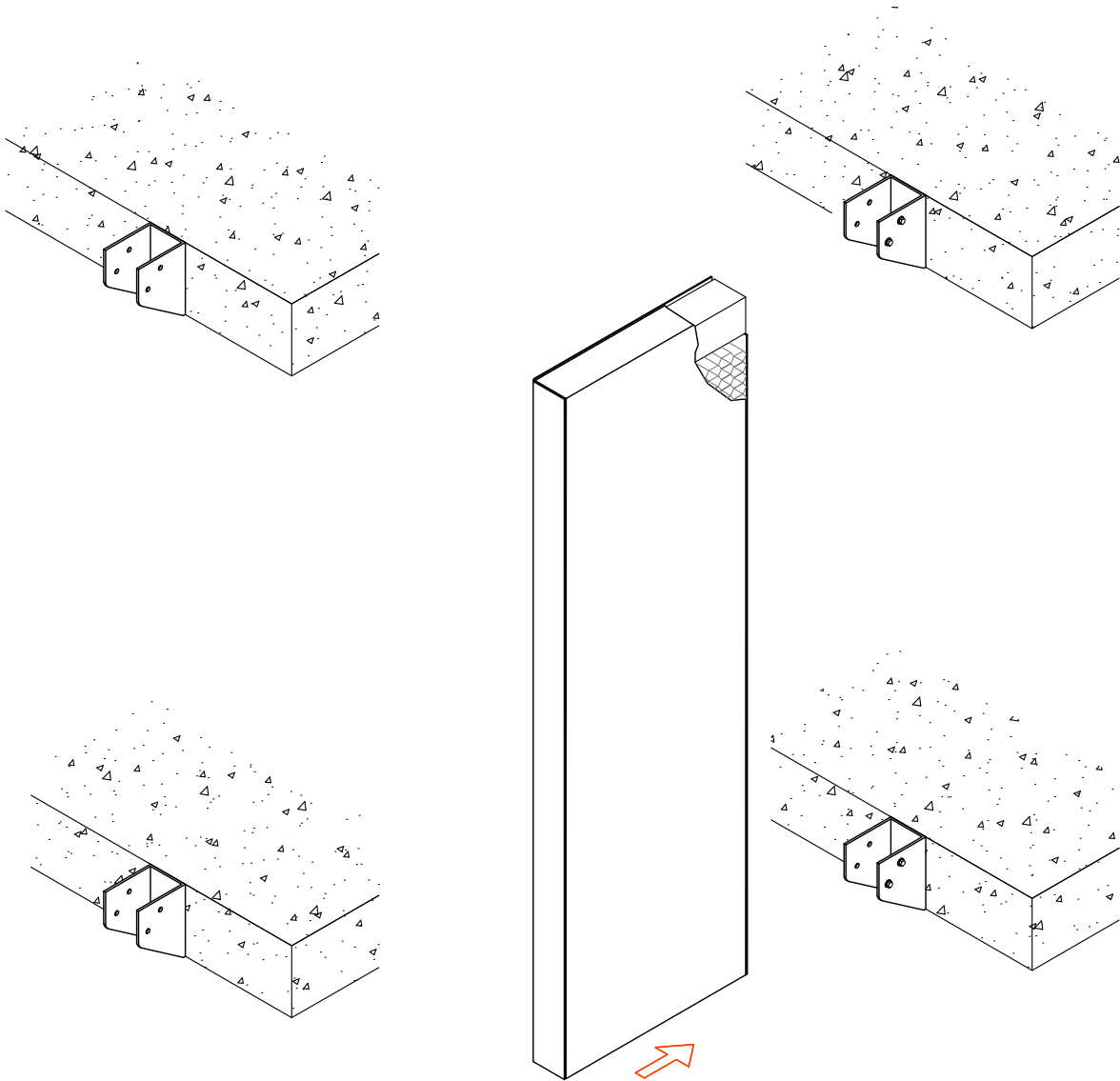
- | | |
|---|--|
| <p>*OPTIMAL MODULES</p> <ul style="list-style-type: none"> 614 mm 509 mm 409 mm 309 mm | <p>**MAXIMUM LENGTHS</p> <ul style="list-style-type: none"> VERTICAL 4m HORIZONTAL 3m |
|---|--|

FLAT 50 SUNSCREEN INSTALLATION

1 - OPTION 1 OUTSIDE OF OPENING



INSTALLATION OUTSIDE OF OPENING

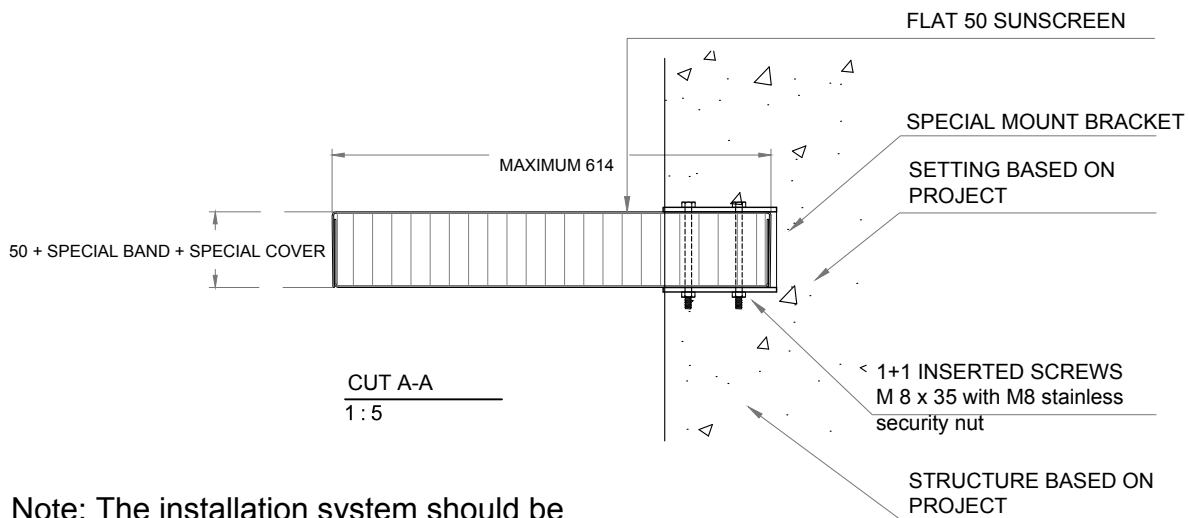
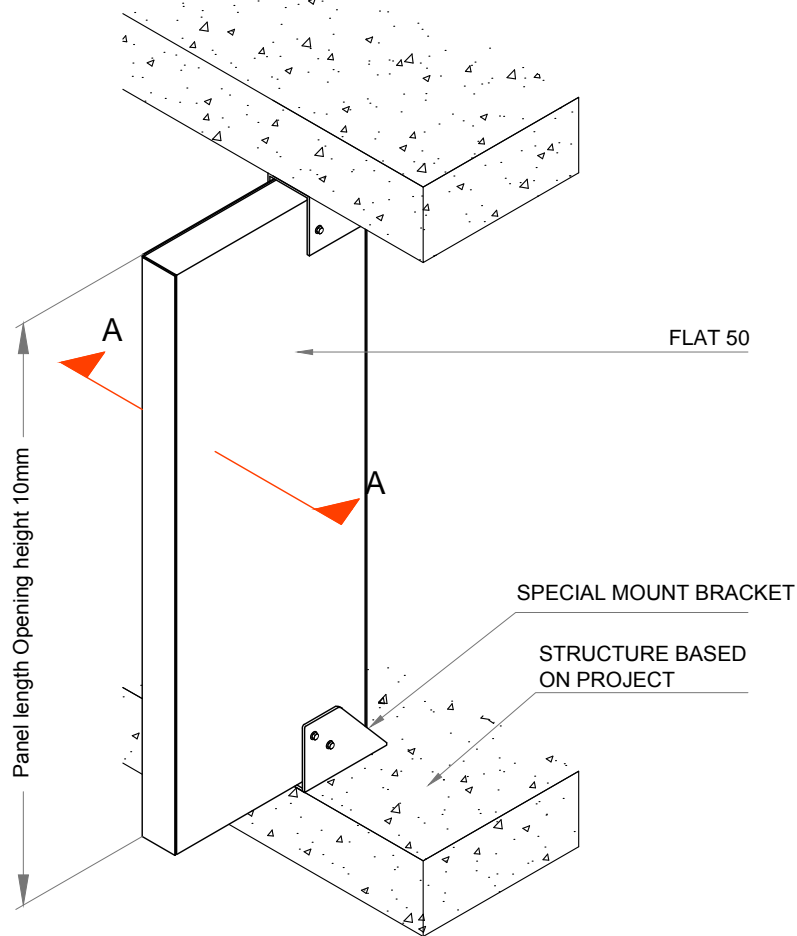


STEP 1
Install the special mount brackets in the structure based on the project.

STEP 2
Fit the flat into the brackets and affix it using the inserted screws.

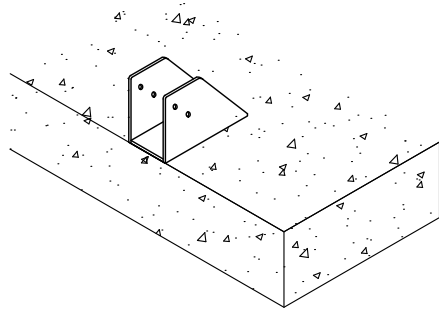
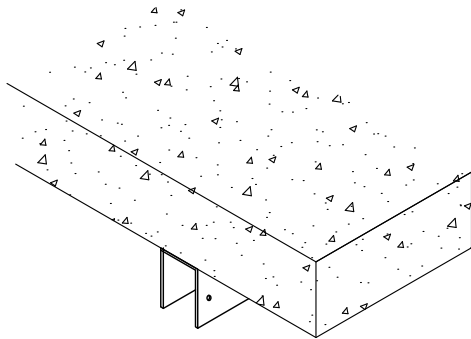
FLAT 50 SUNSCREEN INSTALLATION

1 - OPTION* 1 INSIDE OF OPENING

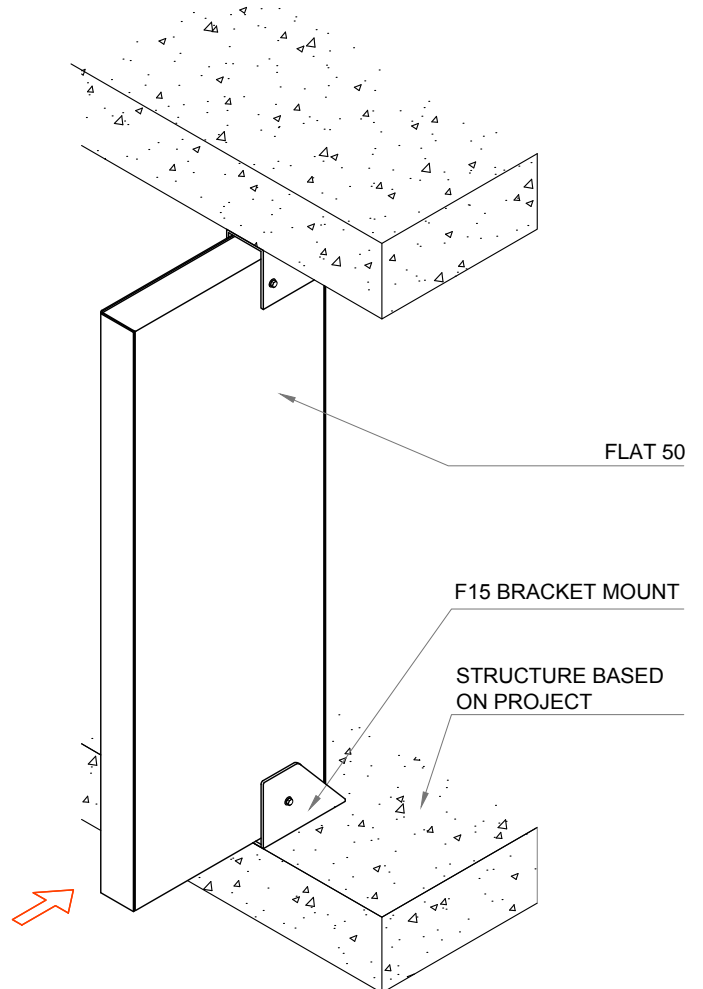


Note: The installation system should be revised for each project.

INSTALLATION INSIDE OF OPENING



STEP 1
Install special mount brackets
inside of the opening.



STEP 2
Fit the flat into the special mounts
and affix using inserted screws.

UPDATE CONTROL SHEET

REV.	DATE	DEVELOPMENT	DESCRIPTION
REV.1	August 2015	Elizabeth Tapia etapia@hdlao.cl	-General updating of installation.
REV.2	September 2015	Arnaldo Rodriguez arrodiguez@hdlao.com	- General updating of installation and measurements. - Editing of thickness of lines. - Correction of pieces.
REV.3	August 2017	Javiera Nuñez janunez@hdlao.com	- Modules modified. - Weight table updated.